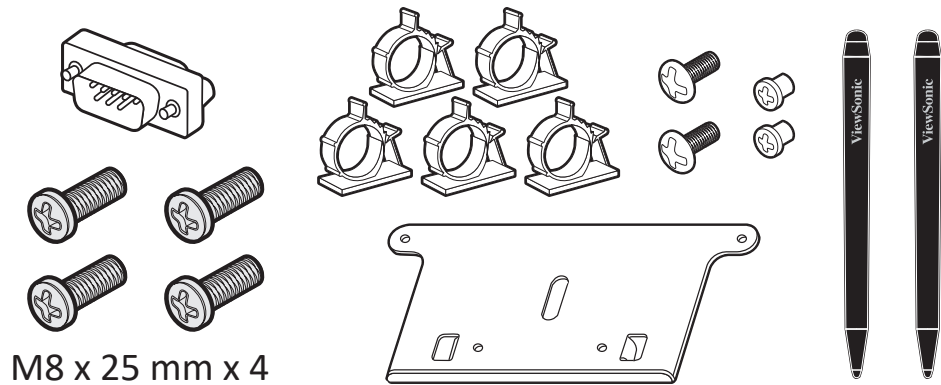
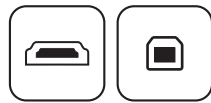
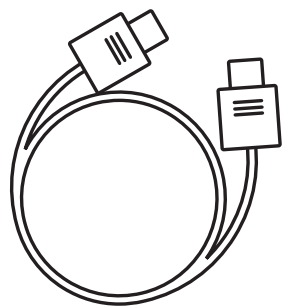
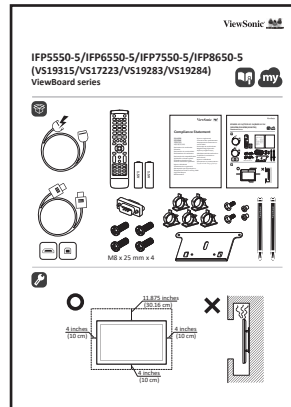
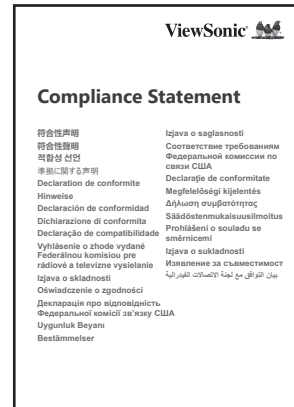
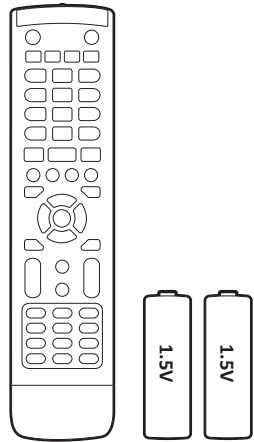
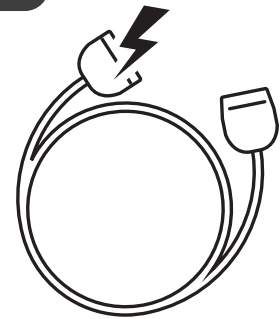
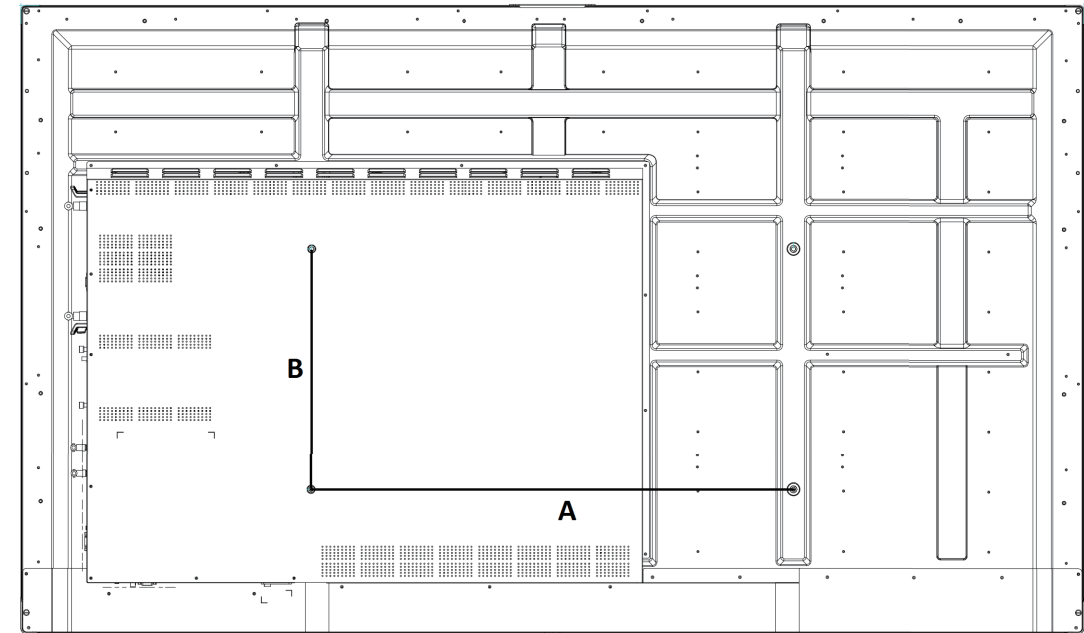
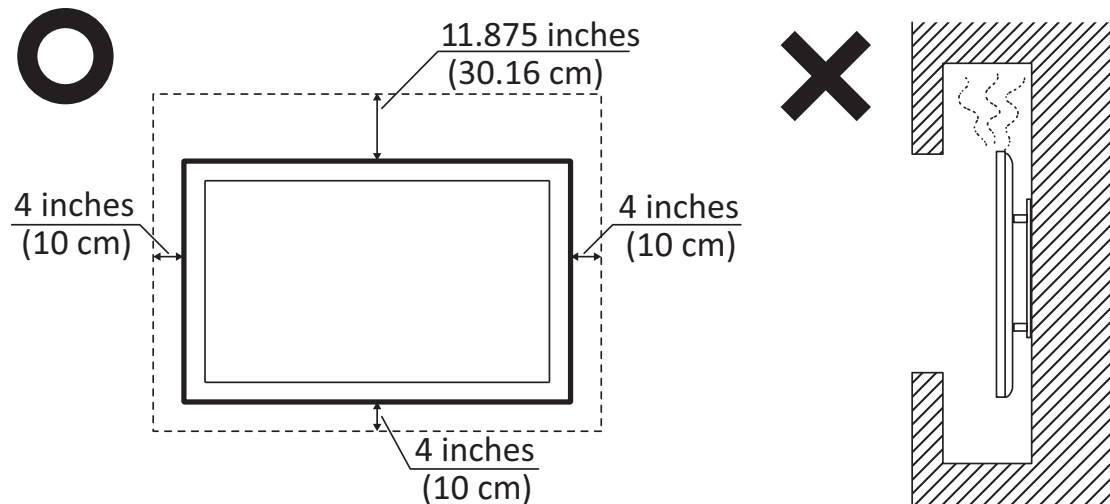


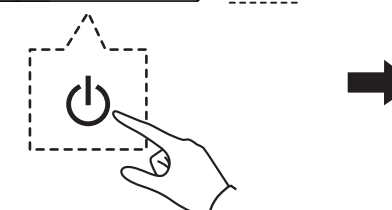
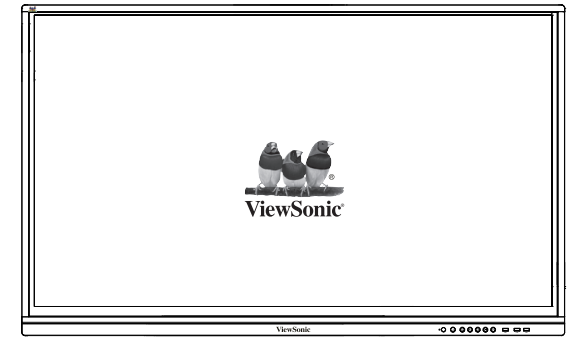
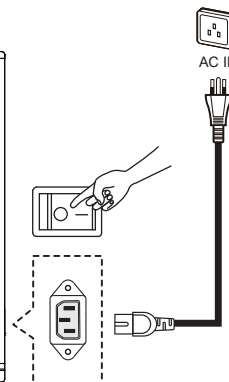
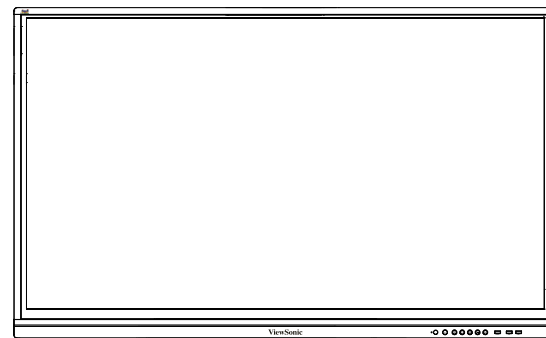
# IFP5550-5/IFP6550-5/IFP7550-5/IFP8650-5 (VS19315/V517223/V519283/V519284) ViewBoard series



M8 x 25 mm x 4



IFP5550-5 - 55"	400 x 200 mm (A x B)
IFP6550-5 - 65"	600 x 400 mm (A x B)
IFP7550-5 - 75"	800 x 400 mm (A x B)
IFP8650-5 - 86"	800 x 600 mm (A x B)



IFP50-5 series



Support Center



www.viewsonic.com

**ViewSonic Europe Limited**  
Haaksbergweg 75  
1101 BR Amsterdam  
Netherlands

+31 (0) 650608655

EPREL@viewsoniceurope.com

<https://www.viewsonic.com/eu/>