

SMART Board 6000S (V3) series with iQ

SBID-6265S-V3

SBID-6275S-V3

SBID-6286S-V3



| Display | |
|-----------------------------------|--|
| Screen sizes (diagonal) | 65", 75", 86" |
| Backlight | LED |
| Aspect ratio | 16:9 |
| Maximum display resolution | 4K UHD (3840 × 2160) |
| Refresh rate | 60 Hz |
| Lifespan | ≥ 50,000 hours |
| Brightness (maximum) | ≥ 350 cd/m ² |
| Response time | 65": ≤ 9 ms 75": ≤ 8 ms 86": ≤ 8 ms |
| Viewing angle | 178° |
| Glass | Fully heat-tempered anti-glare glass that resists smudges and fingerprints |
| Frame color | White |
| Convenience buttons | Power, home, volume, screen shade, freeze frame |
| Sensors | Proximity, ambient light, infrared, room temperature and humidity |
| Audio | 2 integrated 20 W speakers Integrated linear four-microphone array |
| NFC | Integrated RFID NFC reader/writer |

| Interactive experience | |
|--------------------------------|---|
| Touch technology | HyPr Touch™ with InGlass™ |
| Touch features | Tool Explorer™ Simultaneous Tool Differentiation Object Awareness™ Pen ID™ Silktouch™ Pressure Sensitive Ink |
| Typical response time | 9 ms |
| Frame rate | 150 Hz |
| Accuracy | ±1 mm |
| Minimum object size | 2 mm |
| Multitouch capabilities | Up to 40 touch points (OS dependent) |
| Tools included | Pens (×2) Erasers (×2) |
| Tool holders | Intelligent, magnetic, frame-mounted |
| Optional tools | Multicolor four-pen bundle Magic pen Highlighter pen Stamps and cubes |

smarttech.com
smarttech.com/contact

© 2022 SMART Technologies ULC. All rights reserved. SMART Board, SMART Notebook, SMART Ink, HyPr Touch, Tool Explorer, Object Awareness, Pen ID, Silktouch, smarttech, the SMART logo and all SMART taglines are trademarks or registered trademarks of SMART Technologies ULC in the U.S. and/or other countries. The Adopted Trademarks HDMI, HDMI High-Definition Multimedia Interface, and the HDMI Logo are trademarks or registered trademarks of HDMI Licensing Administrator, Inc. in the United States and other countries. All other third-party product and company names may be trademarks of their respective owners. This product and/or use thereof is covered by one or more of the following U.S. patents: www.smarttech.com/patents. Models and specifications may vary by region. Please contact your local representative for details. Contents are subject to change without notice. May 25, 2022.

| Software | |
|--------------------------------------|--|
| iQ built-in Android™ experience | Included |
| SMART Notebook® | Included |
| SMART Ink® and SMART Product Drivers | Included |
| SMART Remote Management | Subscription for length of the included warranty |
| SMART Learning Suite | Optional |

| iQ built-in Android experience | |
|---|--|
| Operating system | Android version 9.0 (Automatic update to Android version 11 scheduled for the second half of 2022.) |
| Memory | 6 GB DDR |
| Storage | 32 GB |
| Digital whiteboard | ✓ |
| Web browser | ✓ |
| Screen sharing | ✓ |
| Other features | SMART Whiteboard Personalized home screen and settings Live input preview Interactive widgets Templates, graphic organizers, and manipulatives File and app libraries Google Drive™ and OneDrive™ access |
| Object Awareness supported | ✓ |
| Ability to run third-party applications | ✓ |
| Cloud storage access | ✓ |
| NFC sign in to a SMART account | ✓ |
| Languages supported | Chinese (simplified), Chinese (traditional), Czech, Danish, Dutch, English, Estonian, Finnish, French, German, Greek, Hungarian, Italian, Japanese, Korean, Latvian, Lithuanian, Norwegian, Polish, Portuguese, Romanian, Russian, Slovak, Slovenian, Spanish, Swedish, Ukrainian, Vietnamese, Welsh |
| Updates | Automatic over-the-air (OTA) |

| PC computing | |
|-------------------------------|---|
| OPS support | ✓ |
| OPS-C support | ✓ |
| PC module power supported OPS | 60 W |
| Optional computing modules | SMART OPS PC with Windows 10 Pro SMART Chromebox |

| Inputs | Front | Back |
|---|-------|------|
| OPS PC accessory slot (60 W devices) | – | 1 |
| HDMI® 2.1 with HDCP 1.4 and HDCP 2.3 support | 1 | 2 |
| VGA video | – | 1 |
| Stereo 3.5 mm | – | 1 |
| RS-232 | – | 1 |
| RJ45 | – | 2 |
| USB Type-C 4K @ 60Hz, Display Port 1.2, USB 2.0 (UFP) for touch and digital audio, USB 2.0 (DFP) for peripherals; 65 W power delivery | 1 | – |
| USB Type-C, 4K @ 60Hz, Display Port 1.2, USB 2.0 (UFP) for touch and digital audio, USB 3.2 Gen 1 (DFP) for peripherals; 65W power delivery | – | 1 |
| USB 2.0 Type-A | – | 1 |
| USB 3.0 Type-A | 1 | 2 |
| USB 3.0 Type-B | – | 3 |
| USB 2.0 Type-B | 1 | – |

| Outputs | Front | Back |
|---------------|-------|------|
| HDMI 2.1 | – | 1 |
| Stereo 3.5 mm | – | 1 |
| S/PDIF | – | 1 |

| Included cables and accessories | Qty |
|---|-----|
| Country-specific power cable | 1 |
| USB cable | 1 |
| Pens (red and black) | 2 |
| Erasers | 2 |
| External dual-band 2.4 and 5 GHz antennae | 3 |
| Remote control | 1 |
| AAA batteries | 2 |
| WM-SBID-200 wall mount | 1 |
| SMART ID card (for NFC sign in) | 2 |
| Illustrated installation instructions | 1 |
| Important information document | 1 |

Connectivity

| | |
|------------------|--|
| Wired | RJ45 (x2) 1000baseT |
| Wi-Fi | IEEE 802.11 a/b/g/n/ac with 2 x 2 MIMO (both 2.4 and 5 GHz bands) supporting WEP, WPA, WPA2 PSK, and 802.1X EAP authentication protocols |
| Bluetooth | 5.0 dual mode |

Storage and operating requirements

| | |
|------------------------------|---|
| Power requirements | 100V to 240V AC, 50 Hz to 60 Hz |
| Operating temperature | 41–95°F (5–35°C) |
| Storage temperature | –4–140°F (–20–60°C) |
| Humidity | 5–80% relative humidity, non-condensing |

Power consumption

| | |
|----------------|------------|
| Typical | 65": 105 W |
| | 75": 134 W |
| | 86": 161 W |
| Standby | 0.4 W |

Certification and compliance*

| | |
|--------------------------------|---|
| Regulatory models | IDS665-3, IDS675-3, and IDS686-3 |
| US / Canada | UL, FCC, ISED, TSCA, CONEG Packaging, Proposition 65 |
| EU / EEA / EFTA / UK | CE, UKCA, LVD, CB, EMCD, RED, REACH, RoHS, Battery, WEEE, Packaging, POP, Ecodesign |
| Australia / New Zealand | RCM |
| Performance standards | ENERGY STAR®, HDMI |

Purchasing information

Order numbers

| | |
|-----------------------|---|
| SBID-6265S-V3 | SMART Board® 6065S-V3 interactive display with iQ |
| SBID-6275S-V3 | SMART Board 6075S-V3 interactive display with iQ |
| SBID-6286S-V3 | SMART Board 6086S-V3 interactive display with iQ |
| TS-4PEN-MC | Tool Explorer multicolor 4-pen bundle (orange, purple, green, blue) with magnetic penwell |
| TS-4CUBE-LEARN | Tool Explorer Learn 4-Cube Bundle |
| TS-4CUBE-MATH | Tool Explorer Math 4-Cube Bundle |
| TS-4STAMP-PLAY | Tool Explorer Play 4-Stamp Bundle |
| TS-PEN-HLITE | Tool Explorer double-ended Highlighter (yellow & green) |
| TS-PEN-MAGIC | Tool Explorer Magic Pen |
| SBID-ID-10 | Identification cards for SMART Board 6000S - Qty 10 |

Optional accessories

See smarttech.com/accessories

Warranty

| | |
|------------------------------|---|
| SMART Assure warranty | Includes advanced hardware replacement and access to onsite support. Terms and conditions vary by region. Contact your local reseller or distributor for information and visit smarttech.com/warranty . |
|------------------------------|---|

Cable requirements

| | |
|-------------------|--|
| HDMI | Certified premium high speed HDMI (18 Gbps) Maximum length: 23' (7 m) |
| USB 2.0 | USB 2.0 certified Hi-Speed (480 Mbps) support Maximum length: 16' (5 m) |
| USB 3.0 | USB 3.0 certified SuperSpeed (5 Gbps) support Maximum length: 9' (3 m) |
| USB Type-C | USB 3.2 Gen 1 certified SuperSpeed (5 Gbps) support Maximum length: 6' (2 m) |

More information See smarttech.com/kb/171414

*Product availability may vary by region.
This product has received additional certifications not listed here.

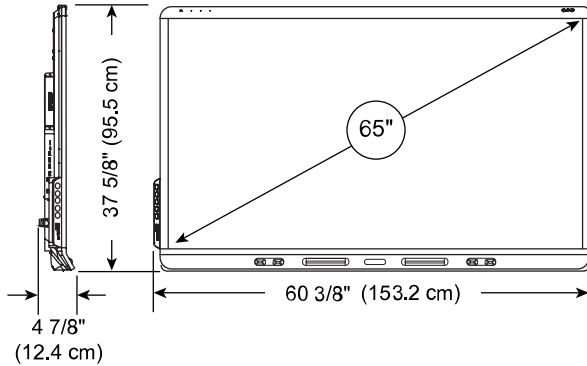
Installation, dimensions, and weights

Notes

- All dimensions $\pm 1/8"$ (0.3 cm). All weights ± 2 lb. (0.9 kg).
- Product ships upright.
- Leave space around the display to ensure adequate ventilation. See the *SMART Board 6000S and 6000S Pro installation and maintenance guide* (smarttech.com/kb/171414) for the specific space requirements.

SBID-6265S-V3

Dimensions



Weight

112 lb. (51 kg)

Shipping dimensions (including pallet)

67 1/8" \times 46 1/2" \times 10 3/8"
(170.4 cm \times 118.1 cm \times 26.4 cm)

Shipping weight

159 lb. (72 kg)

VESA mount

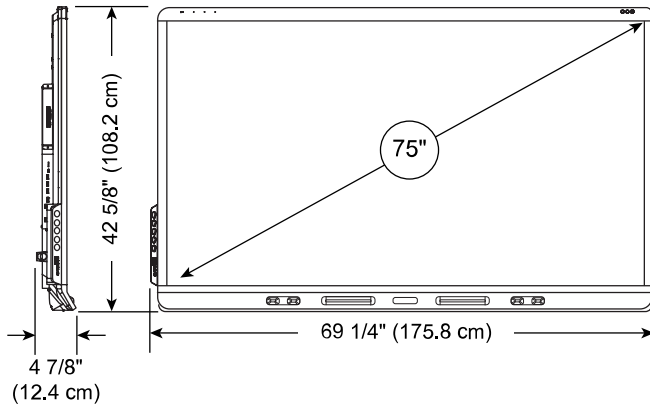
M8, 600 \times 400 mm

Handles

2

SBID-6275S-V3

Dimensions



Weight

143 lb. (65 kg)

Shipping dimensions (including pallet)

76" \times 51 1/2" \times 10 3/8"
(193.1 cm \times 130.8 cm \times 26.4 cm)

Shipping weight

194 lb. (88 kg)

VESA mount

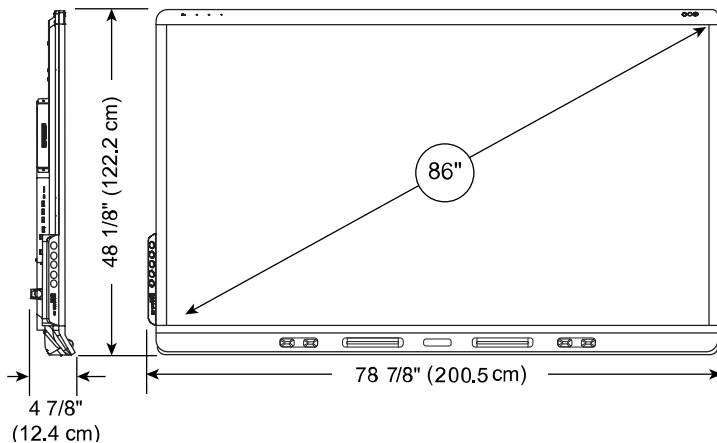
M8, 600 \times 400 mm

Handles

2

SBID-6286S-V3

Dimensions



Weight

185 lb. (84 kg)

Shipping dimensions (including pallet)

86" \times 57" \times 10 3/8"
(218.6 cm \times 144.7 cm \times 26.4 cm)

Shipping weight

243 lb. (110 kg)

VESA mount

M8, 600 \times 400 mm

Handles

2