

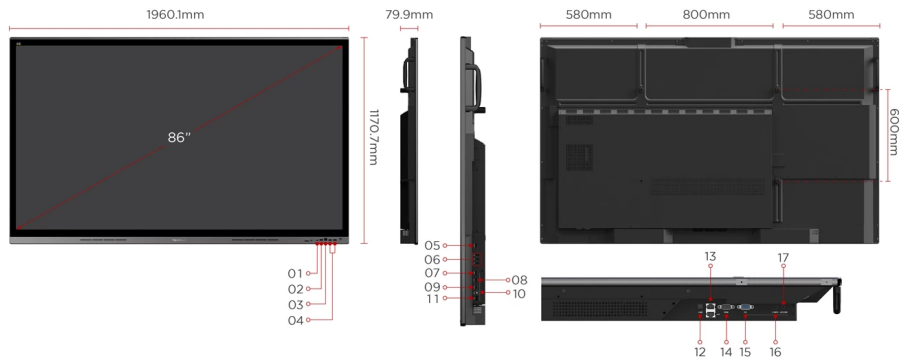
## Toets **Features**

- Superb 4K UHD display panel with UFT+ technology, and 20-points multi-touch
- One-stop premium conference solution with compatible ViewSonic conference speakerphone and camera
- Comprehensive I/O ports, vCastSender, and myViewBoard display
- Built-in USB Type-C for simultaneous 65W fast charge and visual display
- Centralised IT management and content display by myViewBoard Manager



## Product **Omschrijving**

ViewSonic ViewBoard 62 series is an unparalleled large-format interactive display that propels collaborators to achieve effective and robust results. The bezel-less 4K UHD display panel is a gateway to a new visual quality and immersive meeting space. Indulge in the maximised precision of true-to-life handwriting strokes thanks to the UFT+ Technology, 20-points multi-touch with multi-grade pen pressure. Compatible with ViewSonic conference speakerphone (VB-AUD-201) and all-in-one video conference camera (VB-CAM-201) systems. The ViewBoard 62 series boasts pristine audio and a pixel-perfect image, making it a powerful one-stop meeting station. Furthermore, it allows multiple connections, including comprehensive I/O ports, vCastSender, and myViewBoard Display, as well as built-in USB type-C ports supporting 65W fast charge and top-notch display at the same time. As an undoubted enhancement, the built-in myViewBoard Manager is an intuitive and effortless tool for IT and MIS systems that enables centralised IT control and multi-media presentation.



- |              |              |               |
|--------------|--------------|---------------|
| 1. USB-C     | 8. HDMI in 2 | 15. VGA       |
| 2. HDMI In   | 9. HDMI in 3 | 16. Audio in  |
| 3. Touch out | 10. Touch    | 17. Audio out |
| 4. USB-A     | 11. USB-A    |               |
| 5. HDMI out  | 12. SPDIF    |               |
| 6. USB-A     | 13. LAN      |               |
| 7. HDMI in 1 | 14. RS232    |               |

**Bezoek Gebruikers** ■ [www.viewsonic.com](http://www.viewsonic.com)

## DISPLAY

Paneelgrootte:	86"
Paneeltype:	TFT LCD Module with DLED Backlight
Weergavegebied (mm):	1895.04 (H) x 1065.96 (V)
Aspectratio:	16:9
Resolutie:	UHD 3840x2160(Pixels)
Kleuren:	1.07 Billion colours, 10bit
Helderheid:	350 nits (typ.) 300 nits (min.)
Contrastverhouding:	5000:1 Typ.
Reactietijd:	8ms
Kijkhoeken:	H = 178, V = 178 typ.
Oppervlakte behandeling:	Hardness: 9H pencil
Bezel:	Top: 38.8 mm Bottom: 63.9 mm Left: 31.5 mm Right: 31.5 mm

## PLATFORM

Processor:	Dual core A73+Dual core A53
RAM:	3GB DDR4
Opslag:	32GB eMMC

## TOUCH

Type:	Ultra Fine Touch Plus Technology (Projected Capacitive)
Touch resolutie:	32767 x 32767
Touch punt:	20

## INPUT

HDMI:	x4
RGB/VGA:	x1
Audio:	1x PC-Audio IN
MIC (microfoon):	Full band 6-element MEMS microphone array
RS232:	x1
OPS:	x1
WiFi:	x1

## OUTPUT

HDMI:	x1
Audio:	x1
SPDIF:	x1

## LAN

RJ45:	x2
-------	----

## USB

Type A:	x6
Type B:	x2
Type C:	x1

## SPEAKERS

12W x 2 + 15W x 1 Subwoofer
-----------------------------

## BUNDELSOFTWARE

Basis annotatiesoftware:	myViewBoard WhiteBoard for Android
Pro annotatiesoftware:	myViewBoard WhiteBoard for Windows (Embedded in Windows Slot-in PC)
Wireless Presentation:	ViewBoard Cast & myViewBoard Display & AirServer

## SPECIALE EIGENSCHAPPEN

Eenvoudig delen via LAN tussen IFP en slot-in-apparaat:	Yes
---	-----

## STROOM

Spanning:	100-240VAC +/- 10% Wide Range
Consumptie:	On: 160W(Typ.) / Off: < 0.5W

## OPERATING CONDITIONS

Temperatuur (° C):	0°C to 40°C
Luchtvochtigheid:	20% ~ 80% RH non-condensing

## AFMETINGEN (B X H X D)

Fysiek (inch/mm):	77.2 x 46.1 x 3.1 in / 1960 x 1171 x 80 mm
Verpakking (inch / mm):	83.2 x 50.8 x 10.6 in / 2113 x 1290 x 270 mm

## WEIGHT

Netto (lb / kg):	140.43 lb / 63.7 kg
Bruto ( lb/kg):	185.74 lb / 84.25 kg

## REGULATIONS

CTUVus, FCC, Energy 8.0, EPEAT, Mexico, CE, CB, ErP, REACH, UKC
---

## VERPAKKINGSINHOUD

1. Power cable
2. Remote control
3. AAA battery X2
4. USB cable Type C
5. Passive stylus x 2
6. Quick Start Guide
7. Compliance statement
8. RS232 adaptor
9. Plate
10. Clamp x 5
11. Screw x 8
12. HDMI cable
13. Touch USB cable

## COMPATIBLE SLOT-IN PC

VPC25-O-B series, VPC27-O-B series
------------------------------------