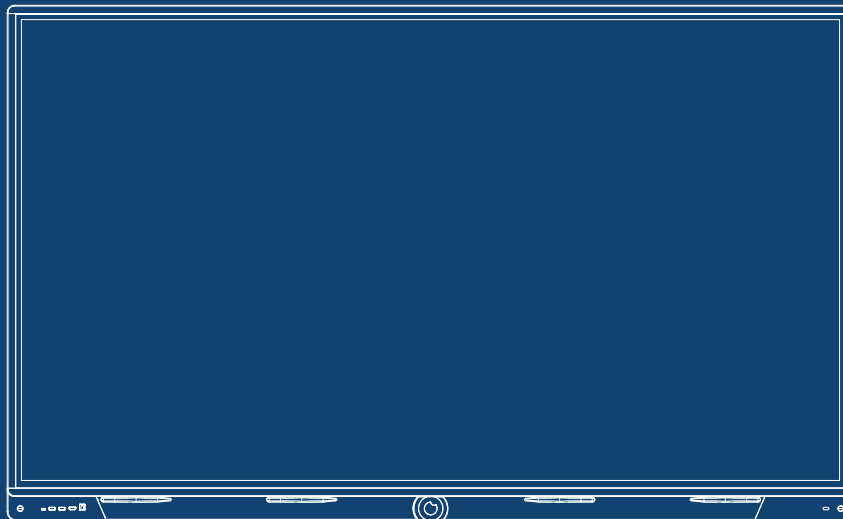


EN

DE

NL



# Quick Start Guide

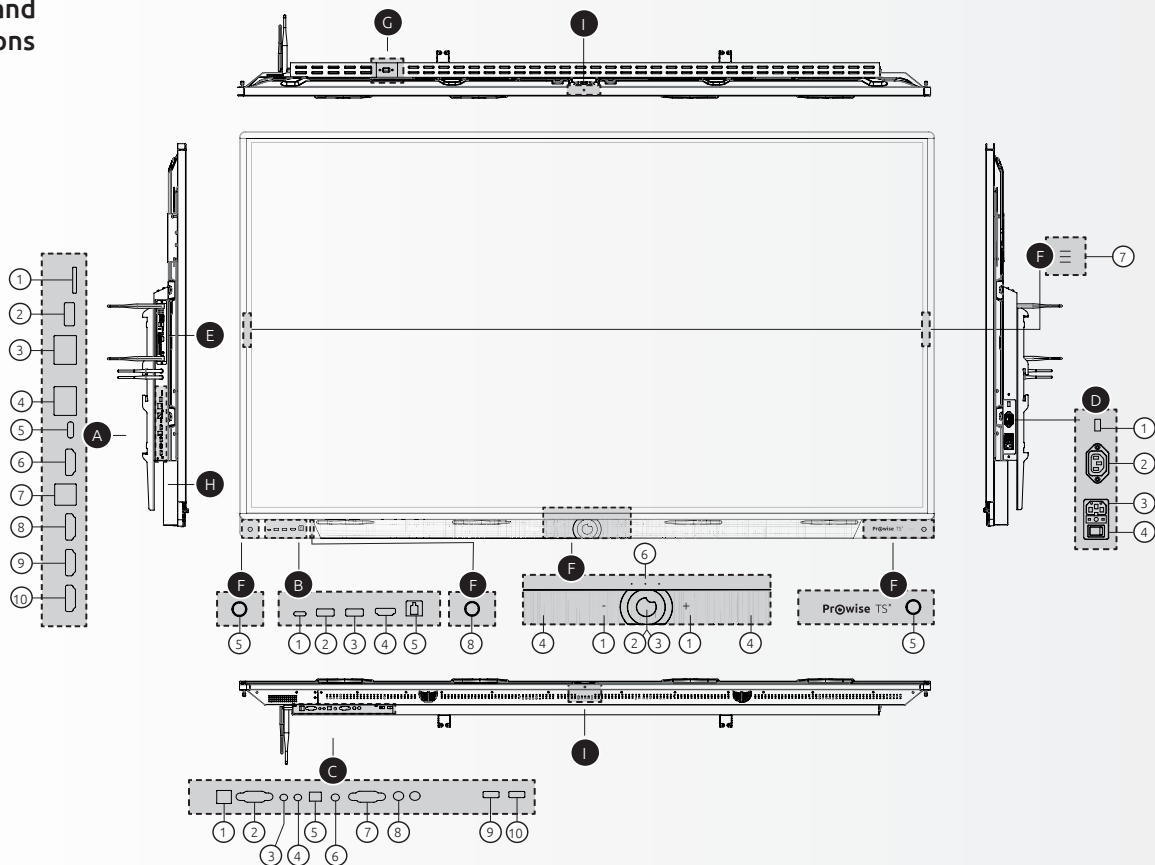
Prowise Touchscreen Ten G2

PW.1.17065.0002 / PW.1.17075.0002 / PW.1.17086.0002/ PW.1.17098.0002

**Pro**wise



## Buttons and connections



**A** Ports left side

- ① SD card reader
- ② USB 3.2 Gen1 Type A
- ③ LAN-IN port (RJ45)
- ④ LAN-OUT port (RJ45)
- ⑤ USB Type C  
(Video + Audio + 80W + Touch + LAN)
- ⑥ HDMI Output 2.1
- ⑦ USB 3.2 Gen1 Type B (Touch port)
- ⑧ HDMI 2.1 Type A (HDCP2.3, ARC & CEC)
- ⑨ HDMI 2.0 Type A (HDCP2.2 CEC)
- ⑩ HDMI 2.0 Type A (HDCP2.2 CEC)

**B** Ports front

- ① USB Type C (Video + Audio + 15W + Touch + LAN)
- ② USB 3.2 Gen1 Type A
- ③ USB 3.2 Gen1 Type A
- ④ HDMI 2.0 Type A (HDCP2.2 CEC)
- ⑤ USB 3.2 Gen1 Type-B (Touch-port)

**C** Ports bottom

- ① USB 3.2 Gen1 Type-B (Touch-port)
- ② VGA input (1920x1080p @60Hz)
- ③ PC Audio input
- ④ AV video input (567i)
- ⑤ S/PDIF Optical Digital Audio port
- ⑥ Audio port - Headphones
- ⑦ RS232 Serial Port
- ⑧ Analog Audio port RCA (L+R)
- ⑨ USB 3.2 Gen1 Type A
- ⑩ USB 3.2 Gen1 Type A

**D** AC input and Main switch right

- ① USB 3.2 Gen1 Type A
- ② AC- output
- ③ AC- input
- ④ Main switch

**E** OPS slot left side**F** Buttons and sensors front

- ① Volume - / volume +
- ② Home button
- ③ NFC sensor
- ④ Microphones
- ⑤ Proximity sensors
- ⑥ Adjustable buttons
- ⑦ Quick Menu buttons
- ⑧ Light sensor

**G** Ports top

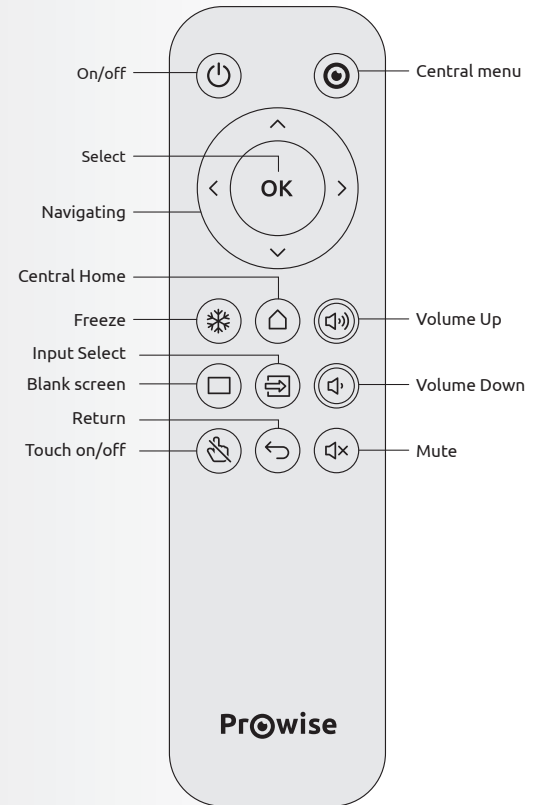
USB 3.2 Gen1 Type A (Camera)

**H** Back

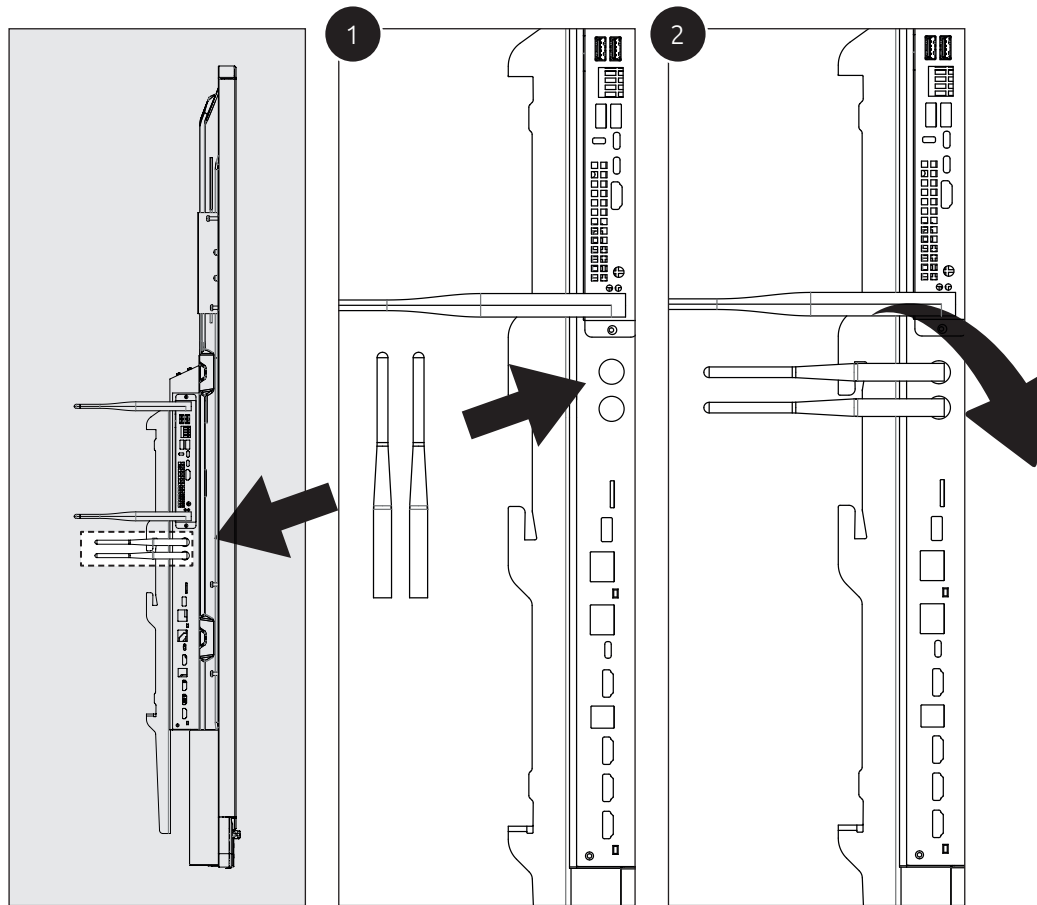
Environmental sensors

**I** Camera mount

1/4 inch UNC camera mount

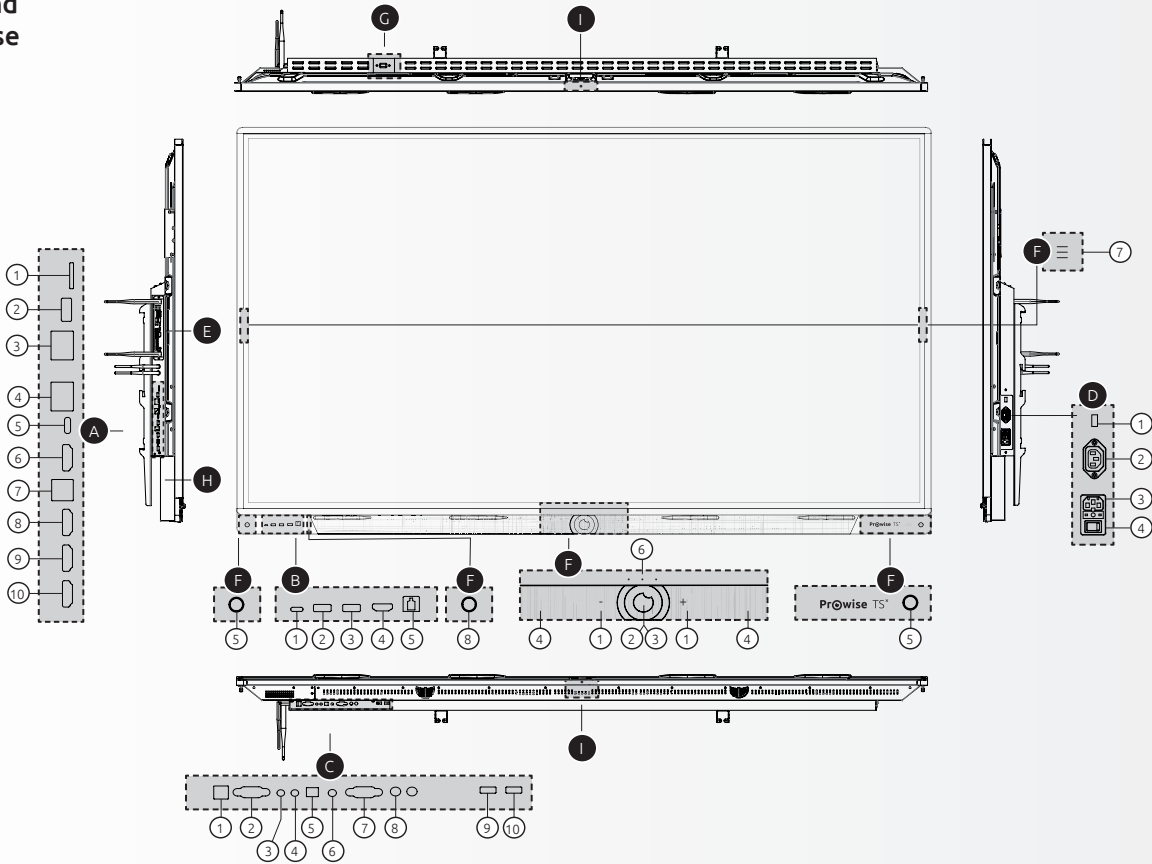
**Remote control**

# Wi-Fi Antennas installation procedure





# Tasten und Anschlüsse



**A** Ports linke Seite

- ① SD-Kartenleser
- ② USB 3.2 Gen1 Typ-A
- ③ LAN-EIN Port (RJ45)
- ④ LAN-AUS Port (RJ45)
- ⑤ USB Typ-C  
(Video + Audio + 80W + Touch + LAN)
- ⑥ HDMI-Ausgang 2.1
- ⑦ USB 3.2 Gen1 Typ-B (Touch-Port)
- ⑧ HDMI 2.1 Typ-A (HDCP2.3, ARC & CEC)
- ⑨ HDMI 2.0 Typ-A (HDCP2.2 CEC)
- ⑩ HDMI 2.0 Typ-A (HDCP2.2 CEC)

**B** Ports an der Vorderseite

- ① USB Typ-C (Video + Audio + 15W + Touch + LAN)
- ② USB 3.2 Gen1 Typ-A
- ③ USB 3.2 Gen1 Typ-A
- ④ HDMI 2.0 Typ A (HDCP2.2 CEC)
- ⑤ USB 3.2 Gen1 Typ-B (Touch-Port)

**C** Ports an der Unterseite

- ① USB 3.2 Gen1 Typ-B (Touch-Port)
- ② VGA-Eingang (1920 x 1080p @ 60 Hz)
- ③ PC Audio-Eingang
- ④ AV-Videoeingang (567i)
- ⑤ S/PDIF Optisch-Digitaler Audio-Ausgang
- ⑥ Audio-Ausgang - Kopfhörer
- ⑦ Serielle RS232-Schnittstelle
- ⑧ Analoger Audio-Ausgang RCA (L+R)
- ⑨ USB 3.2 Gen1 Typ-A
- ⑩ USB 3.2 Gen1 Typ-A

**D** AC-Eingang und Hauptschalter rechts

- ① USB 3.2 Gen1 Typ-A
- ② AC-Ausgang
- ③ AC-Eingang
- ④ Hauptschalter

**E** OPS-Steckplatz linke Seite**F** Schaltflächen und Sensoren Vorderseite

- ① Lautstärke + / Lautstärke -
- ② Home-Taste
- ③ NFC sensor
- ④ Mikrofone
- ⑤ Näherungssensoren
- ⑥ Einstellbare Schaltflächen
- ⑦ Schnellmenütasten
- ⑧ Lichtsensor

**G** Ports an der Vorderseite

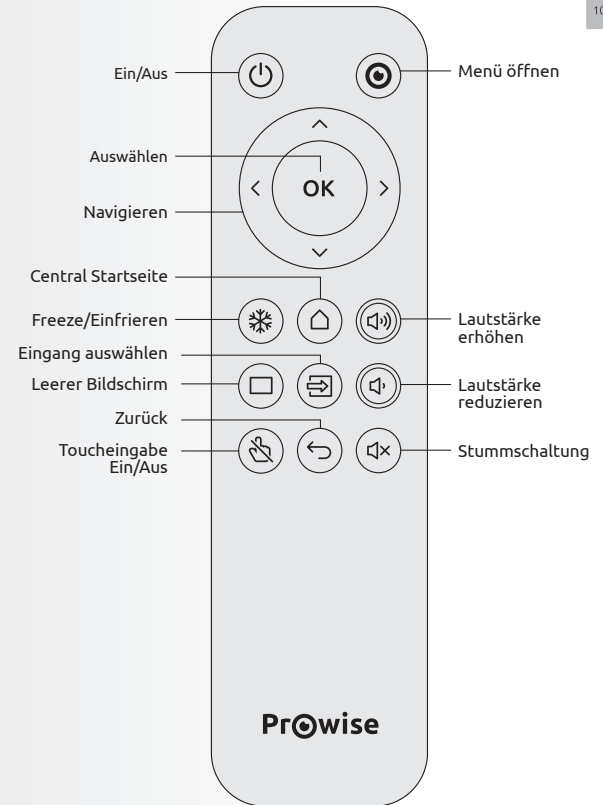
USB 3.2 Gen1 Typ-A (Kamera)

**H** Rückseite

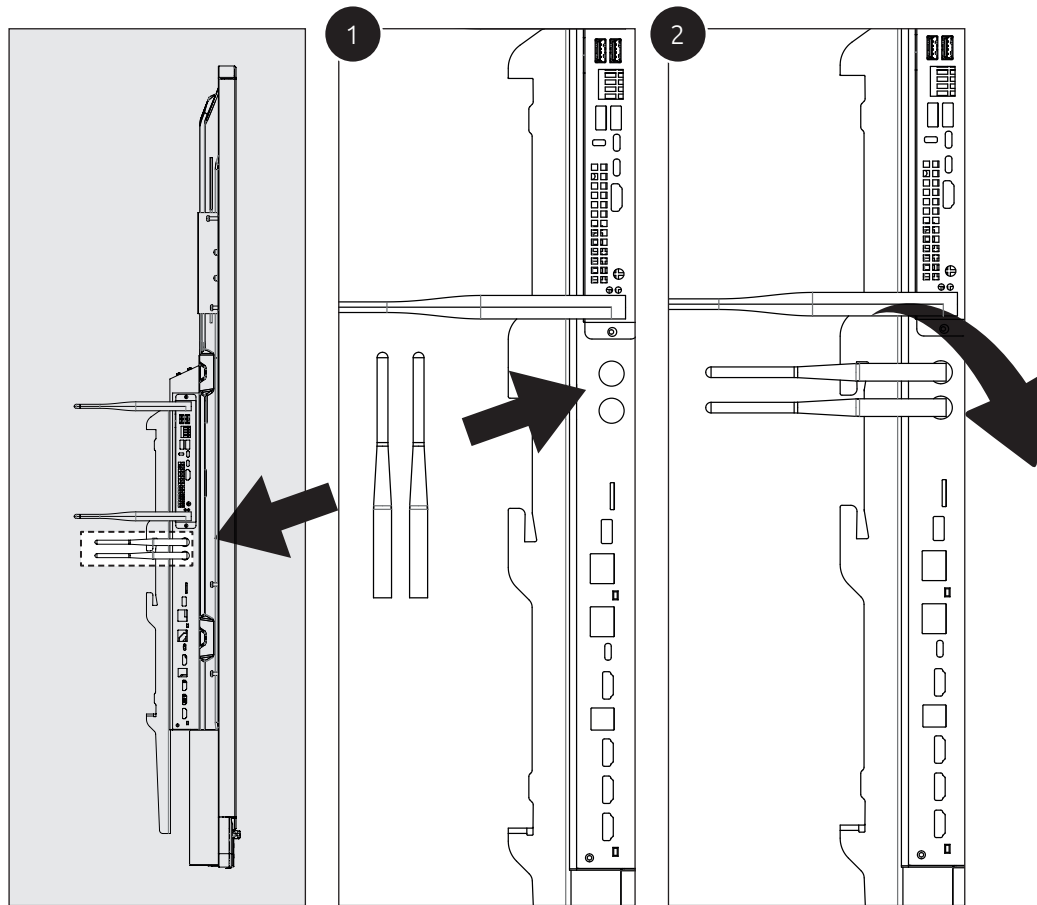
Umgebungssensoren

**I** Kamerahalterung

1/4 inch UNC kamerahalterung

**Fernbedienung**

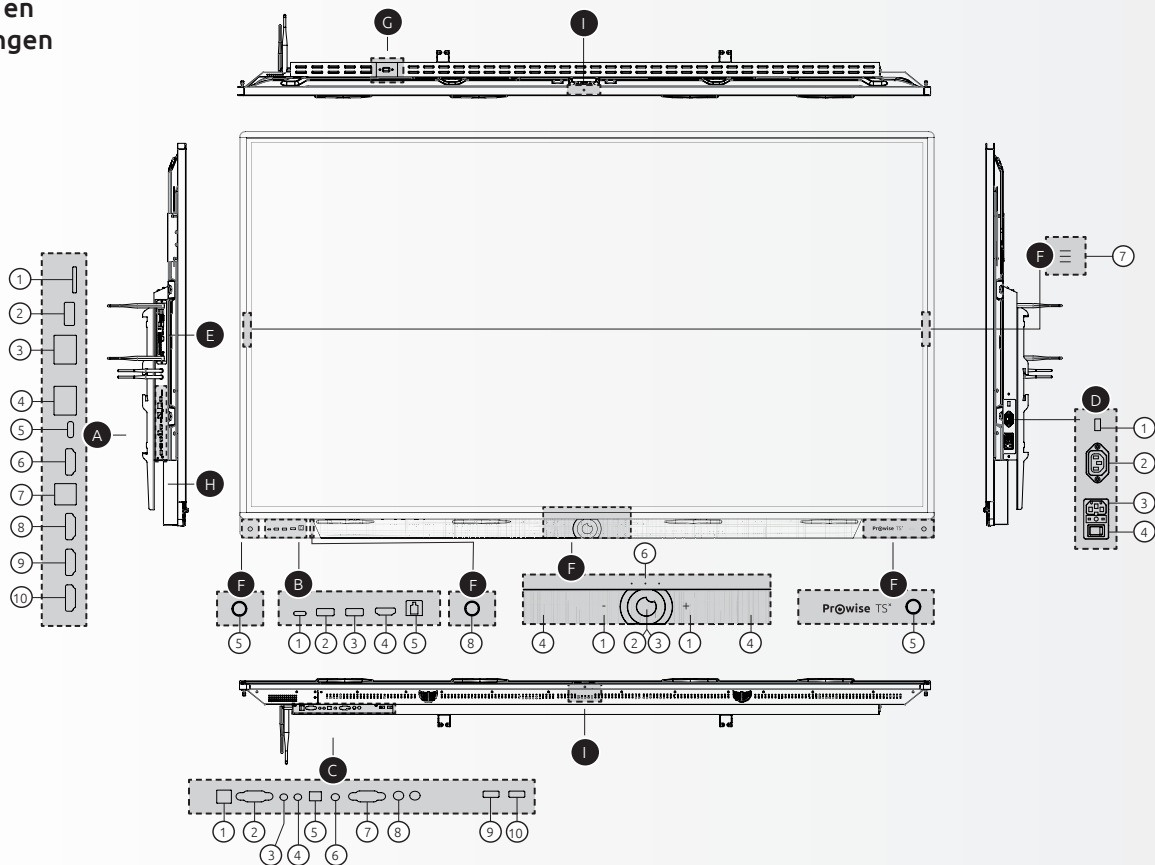
# WLAN-Antennen Installationsverfahren







# Knoppen en aansluitingen



**A** A Poorten linkerzijde

- ① SD-kaartlezer
- ② USB 3.2 Gen1 Type A
- ③ LAN-IN poort (RJ45)
- ④ LAN-UIT poort (RJ45)
- ⑤ USB Type C  
(Video + Audio + 80W + Touch + LAN)
- ⑥ HDMI Output 2.1
- ⑦ USB 3.2 Gen1 Type-B (Touch-poort)
- ⑧ HDMI 2.1 Type A (HDCP2.3, ARC & CEC)
- ⑨ HDMI 2.0 Type A (HDCP2.2 CEC)
- ⑩ HDMI 2.0 Type A (HDCP2.2 CEC)

**B** Poorten voorzijde

- ① USB Type C (Video + Audio + 15W + Touch + LAN)
- ② USB 3.2 Gen1 Type A
- ③ USB 3.2 Gen1 Type A
- ④ HDMI 2.0 Type A (HDCP2.2 CEC)
- ⑤ USB 3.2 Gen1 Type-B (Touch-poort)

**C** Poorten onderzijde

- ① USB 3.2 Gen1 Type-B (Touch-poort)
- ② VGA-invoer (1920x1080p @60Hz)
- ③ PC Audio-ingang
- ④ AV video-ingang (567i)
- ⑤ S/PDIF Optische Digitale Audio-uitgang
- ⑥ Audio-uitgang - Hoofdtelefoon
- ⑦ RS232 Serielle Poort
- ⑧ Analoge Audio-uitgang RCA (L+R)
- ⑨ USB 3.2 Gen1 Type A
- ⑩ USB 3.2 Gen1 Type A

**D** AC-ingang en Hoofdschakelaar rechts

- ① USB 3.2 Gen1 Type A
- ② AC-uitgang
- ③ AC-ingang
- ④ Hoofdschakelaar

**E** OPS-sleuf linkerzijde**F** Knoppen en sensoren voorzijde

- ① Volume - / volume +
- ② Home knop
- ③ NFC sensor
- ④ Microfoons
- ⑤ Nabijheidssensoren
- ⑥ Instelbare knoppen
- ⑦ Quick Menu knoppen
- ⑧ Lichtsensor

**G** Poorten bovenzijde

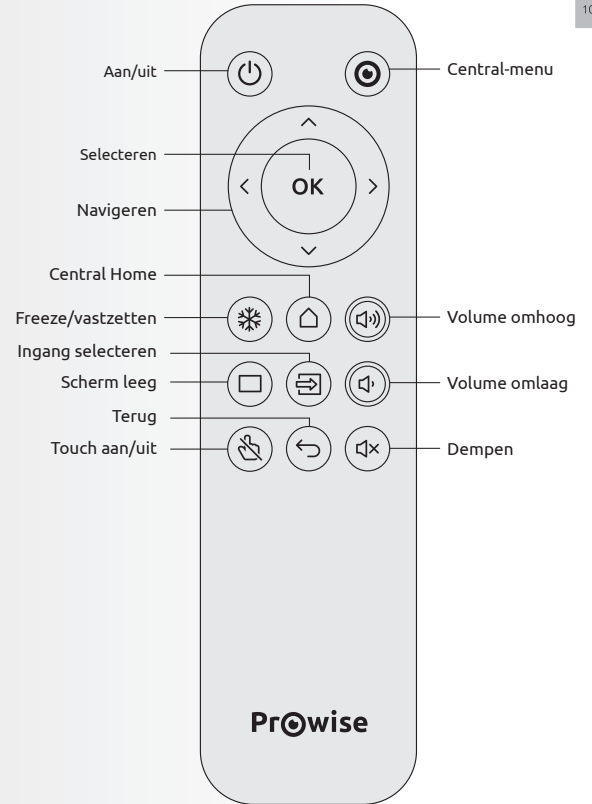
USB 3.2 Gen1 Type A (Camera)

**H** Achterkant

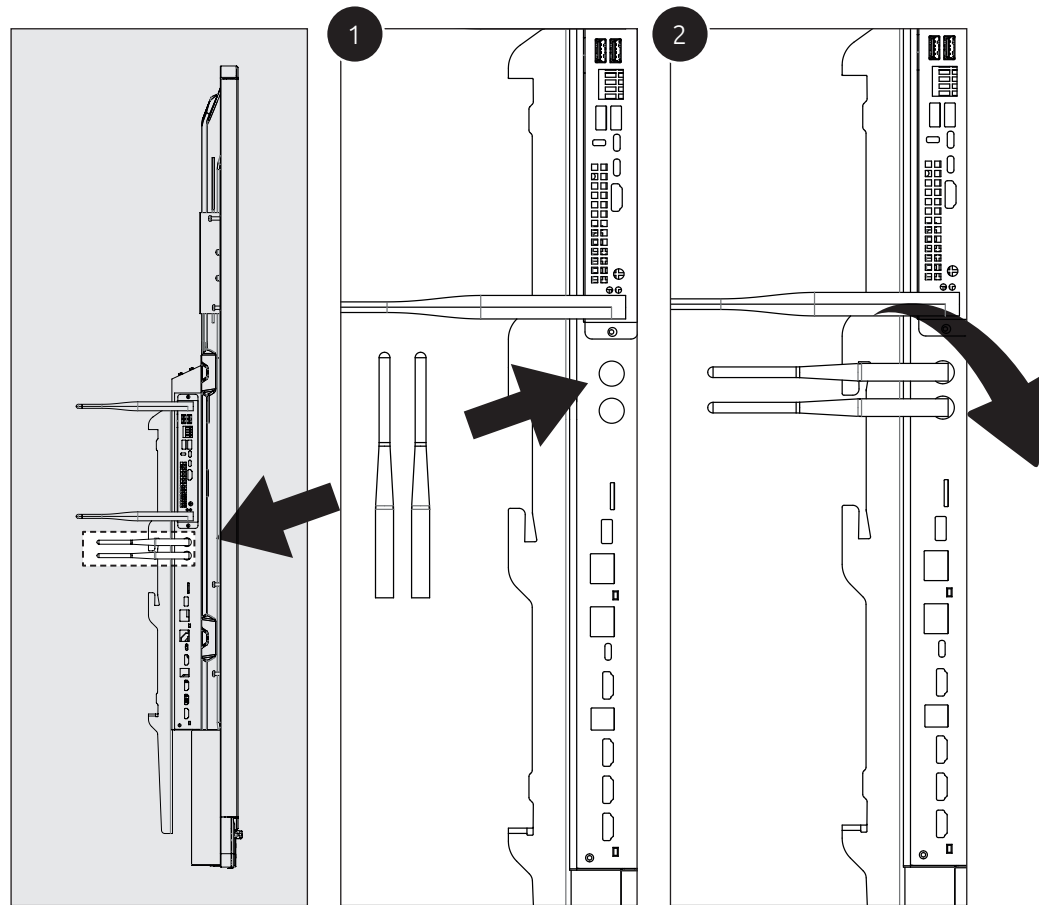
Omgevingssensoren

**I** Camerabevestiging

1/4 inch UNC camerabevestiging

**Afstandsbediening**

## Wi-Fi Antennes installatieprocedure







Let education speak



**PrOwise**

[www.prowise.com](http://www.prowise.com)