

INSTALLATION MANUAL

VLFS3770




200x200/300x300
350x350/400x200
400x400/600x200
600x400



**rated
for TV**
70kg/154lbs

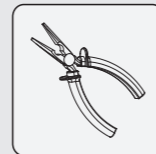
**rated
for DVD**
5kg/11lbs

 **Read the entire instruction manual before you start installation and assembly. If you have any questions regarding any of the instructions or warnings, please contact your local distributor for assistance.**

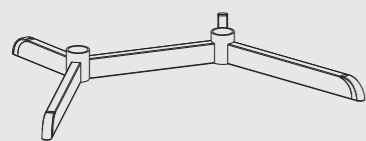
CAUTION

- Use with products heavier than the rated weights indicated may result in instability causing possible injury.
- Please closely follow the assembly instructions. Improper installation may result in damage or serious personal injury.
- Safety gear and proper tools must be used. This product should only be installed by professionals.
- Make sure that the supporting surface will safely support the combined weight of the equipment and all attached hardware and components.
- Use the mounting screws provided and **DO NOT OVER TIGHTEN** mounting screws.
- This product contains small items that could be a choking hazard if swallowed. Keep these items away from children.
- This product is intended for indoor use only. Using this product outdoors could lead to product failure and personal injury.

Required for Installation



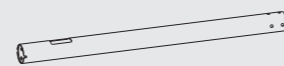
Component Checklist



base (x1)
A



caster (x4)
B



base column (x2)
C



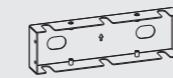
upper column (x2)
D



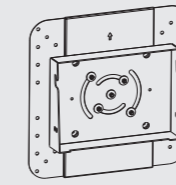
equipment shelf (x1)
E



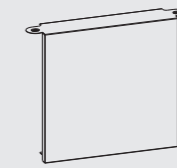
shelf mounting bracket (x2)
F



front cover (x1)
G



mounting plate (x1)
H



rear cover (x1)
I



VESA extension
adapter arm (x2)
J



VESA extension
adapter arm (x2)
K



cable cover (x4)
L



M8x20 (x8)
M



M6x8 (x8)
N



M6x12 (x16)
O



M6x18 (x1)
P



M8x8 (x8)
Q



cable clip holder (x5)
R



cable clip (x5)
S



M6 wrench (x1)
T



M10 wrench (x1)
U



4mm Allen key (x1)
V



5mm Allen key (x1)
W

IMPORTANT: Ensure that you have received all parts according to the component checklist prior to installation. If any parts are missing or faulty, contact your place of purchase for a replacement.

Package M



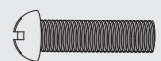
M5x14 (x4)
M-A



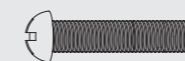
M6x14 (x4)
M-B



M6x30 (x4)
M-C



M8x30 (x4)
M-D



M8x50 (x4)
M-E



washer (x4)
M-F

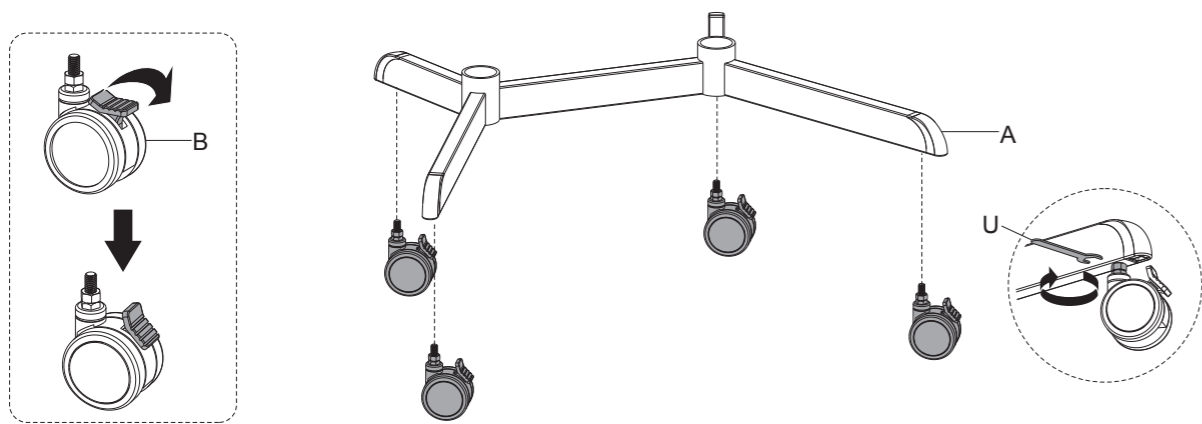


small spacer (x8)
M-G



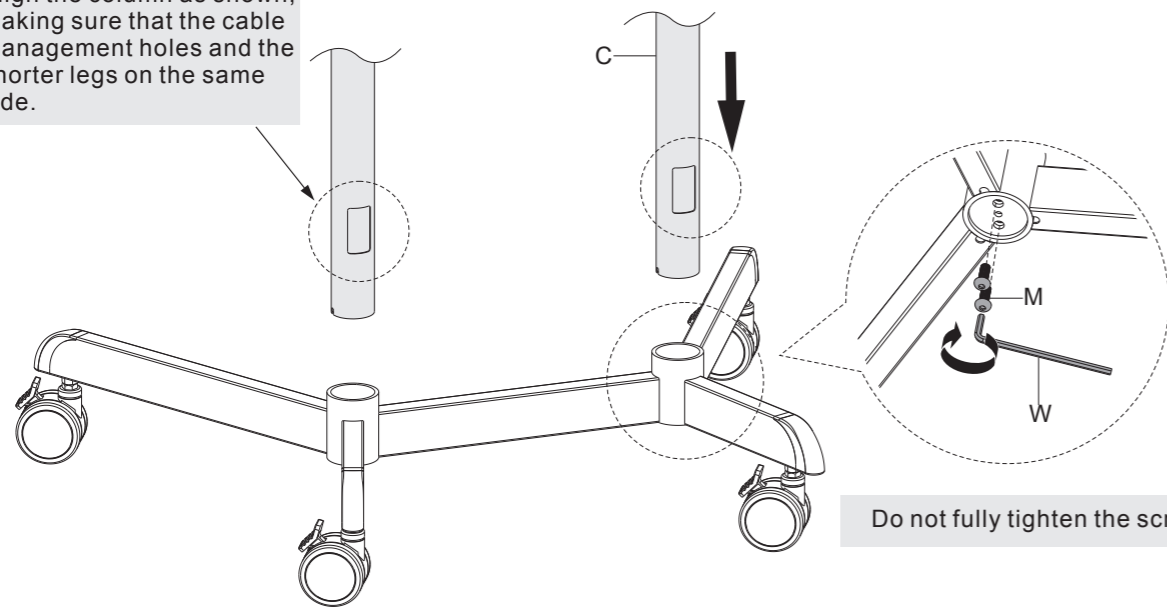
big spacer (x8)
M-H

1. Installing the Wheel Casters

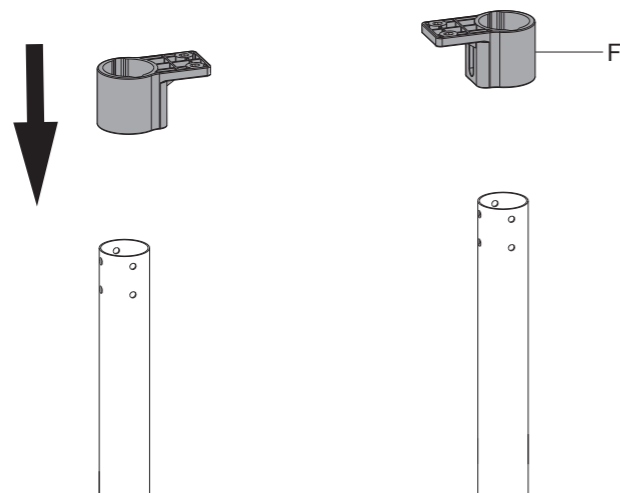


2. Attaching the Columns to the Base

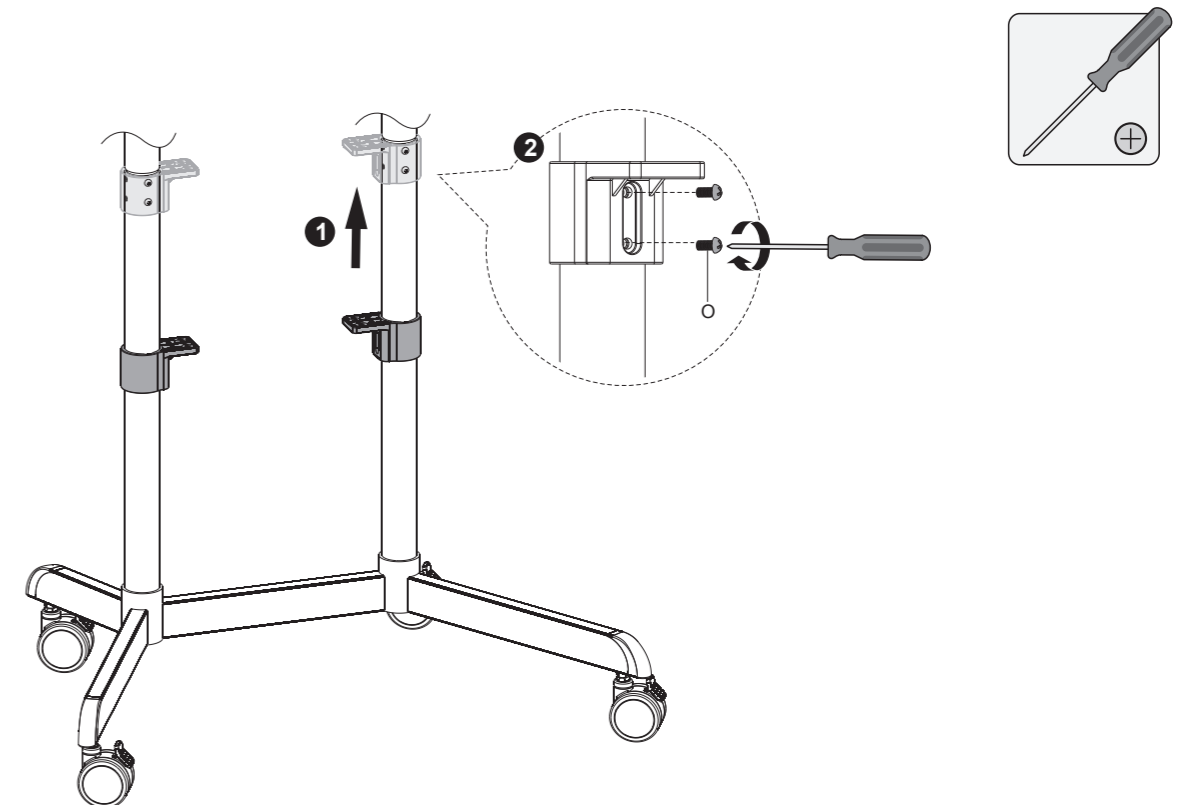
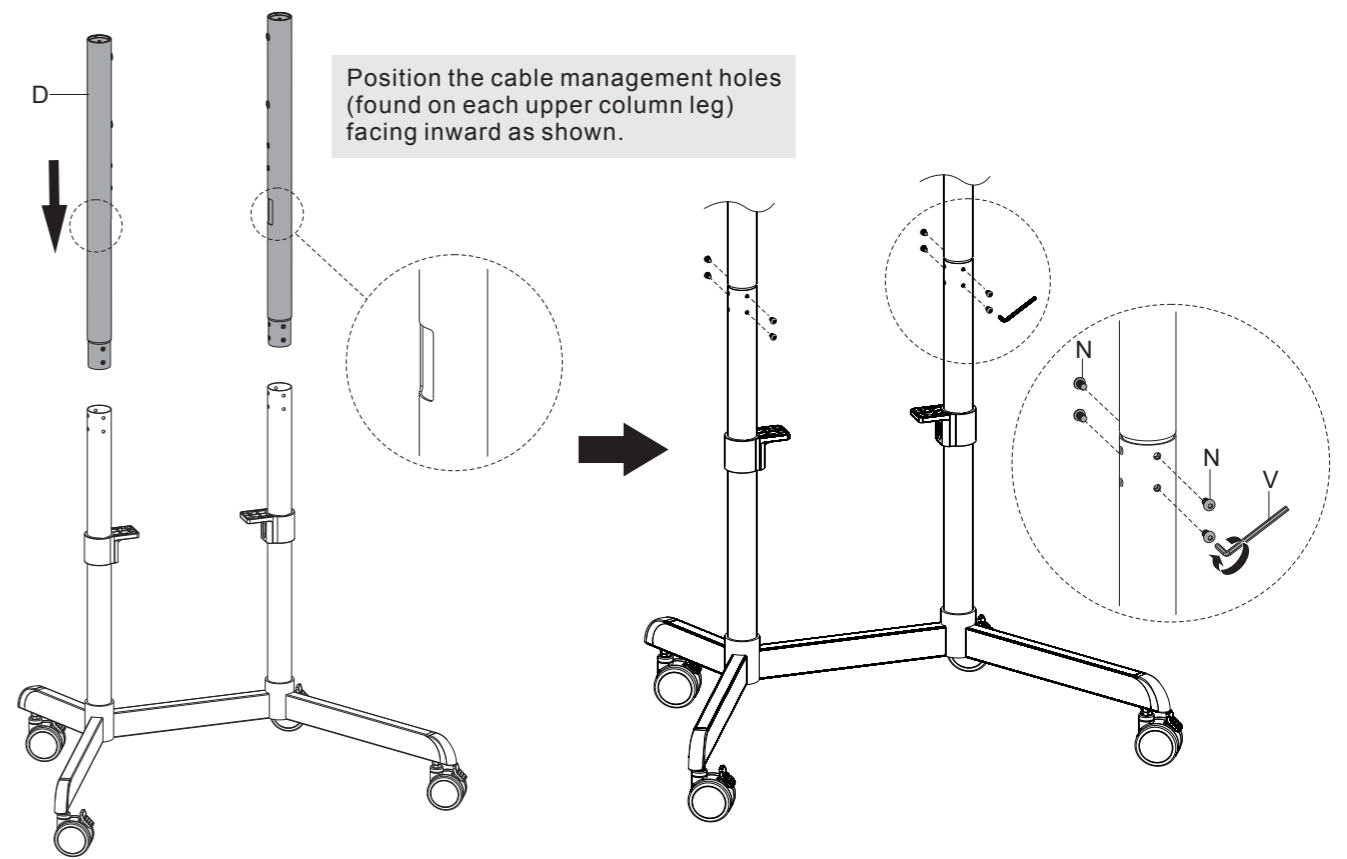
Align the column as shown, making sure that the cable management holes and the shorter legs on the same side.



3. Installing the Columns

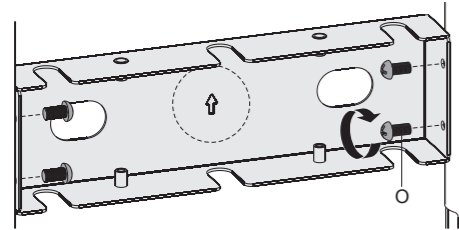


4. Installing the Shelf Mounting Brackets

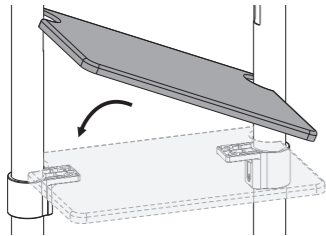


5. Installing the Front Cover and Equipment Shelf

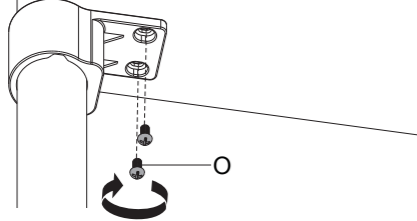
- 1 Position G as indicated, make sure the front of G and the longer legs on the same side.



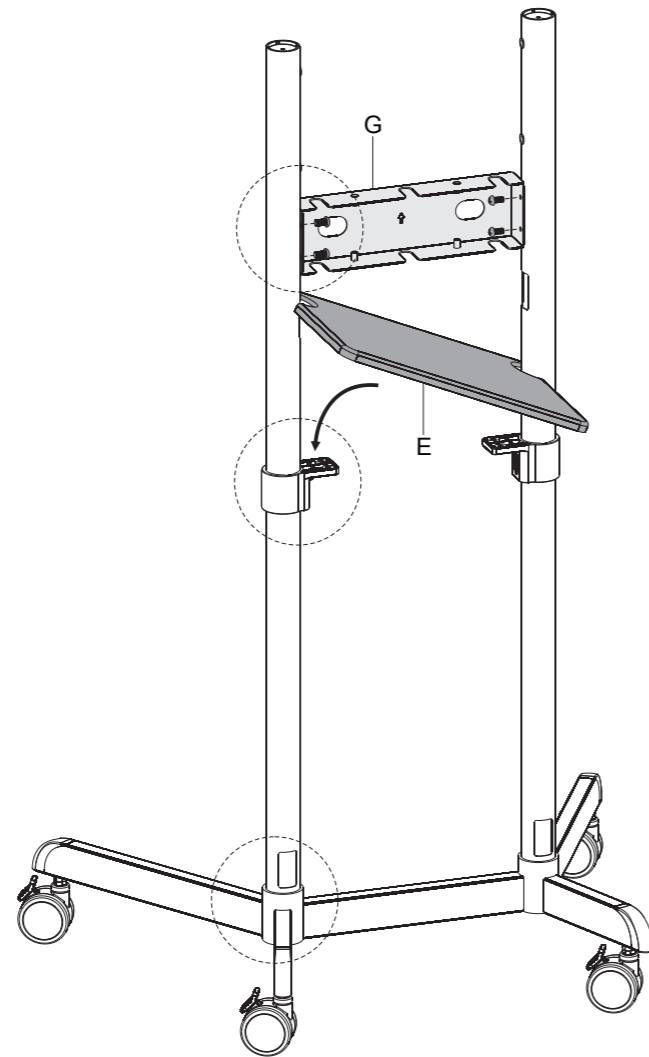
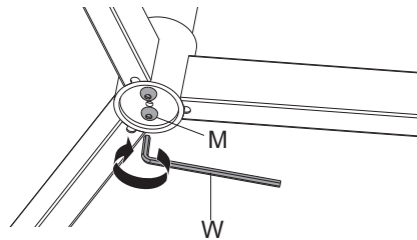
- 2 Make sure E and the shorter legs on the same side.



- 3

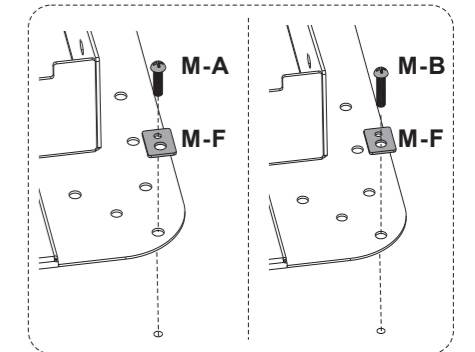
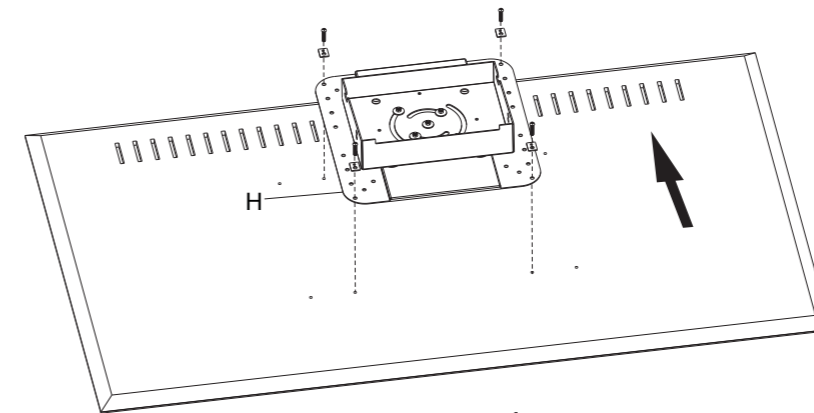
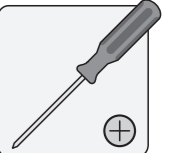
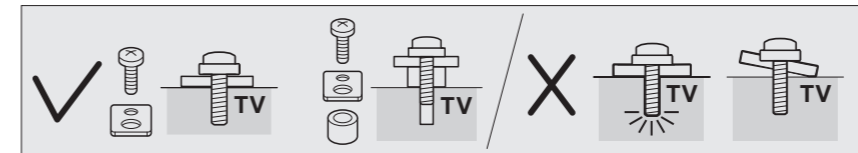
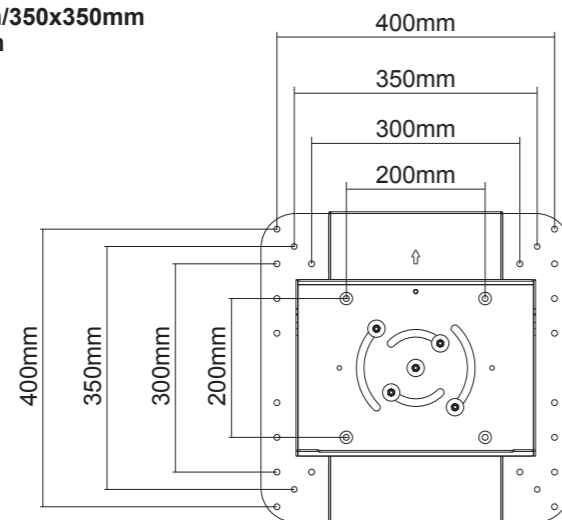


- 4 **CAUTION:** Fully tighten the screws M under the base.

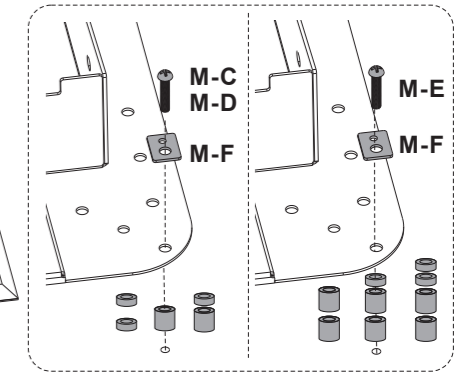
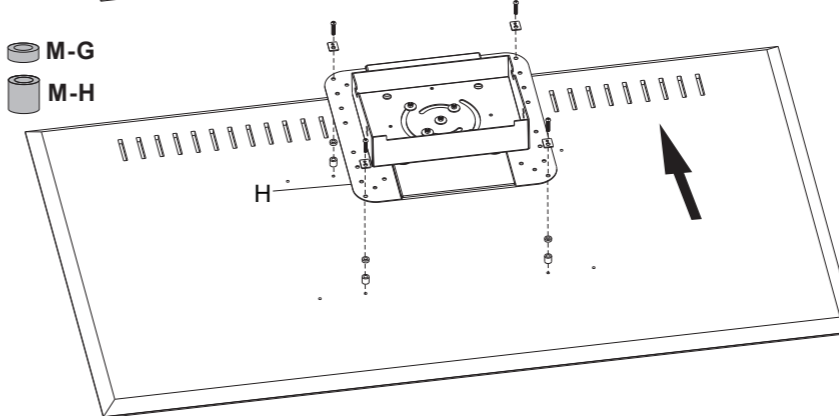


6a. Attaching the Mounting Plate to the Display

VESA 200x200mm/300x300mm/350x350mm
400x200mm/400x400mm



M-G
M-H

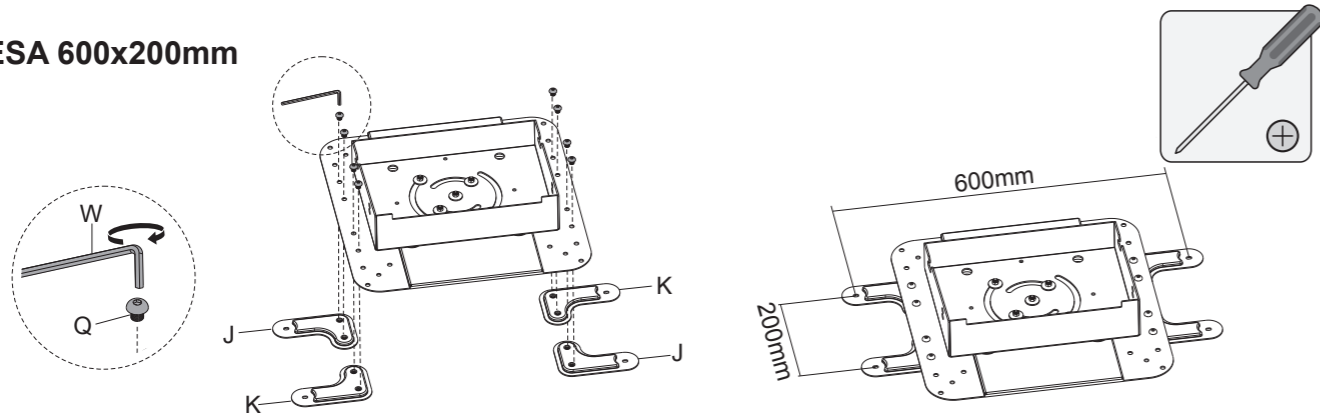


M-A			M-B		
M-C			M-D		
M-E			M-F		
M-G			M-H		

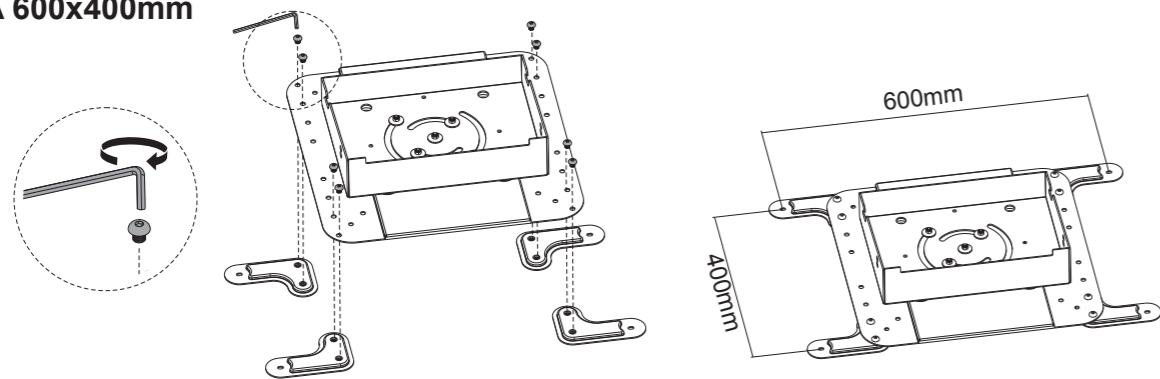
Note: Choose the appropriate screws, washers and spacers (if necessary) according to the type of screen.

6b-1. Installing the VESA Extension Adapter Arms

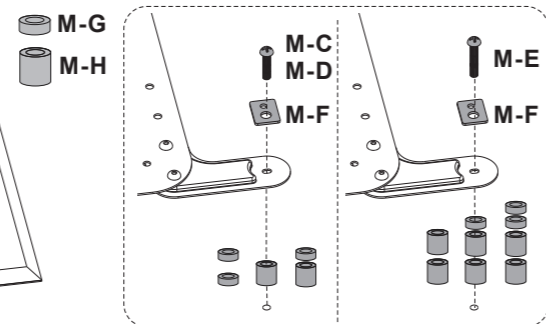
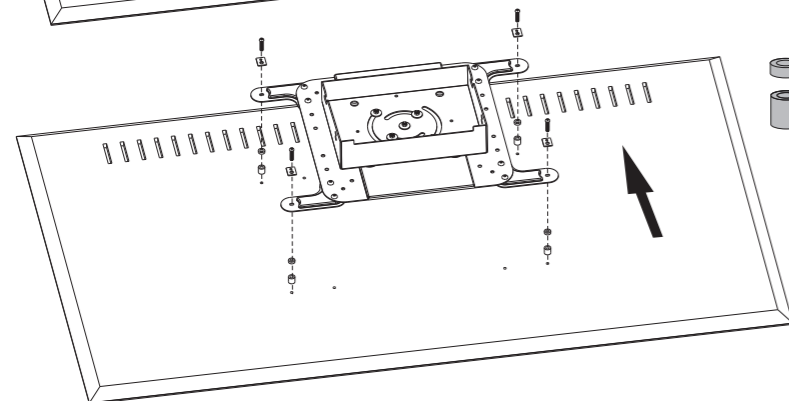
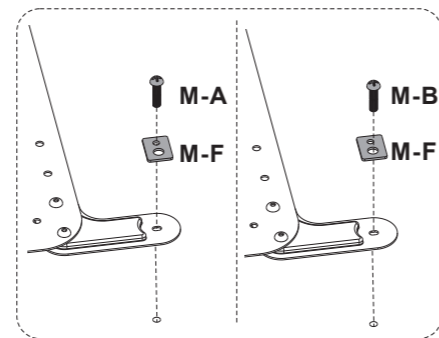
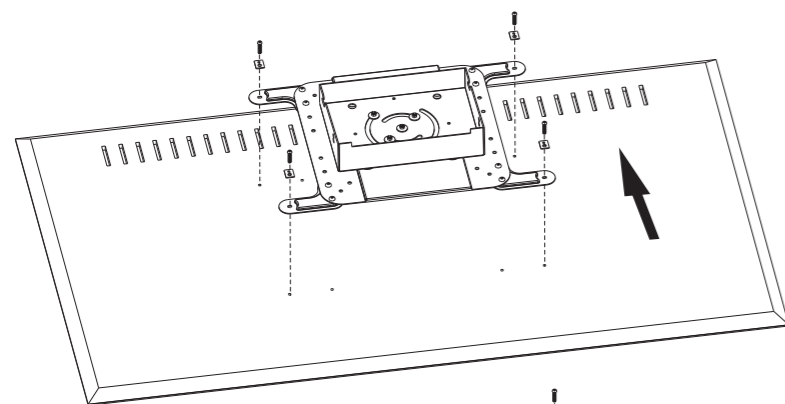
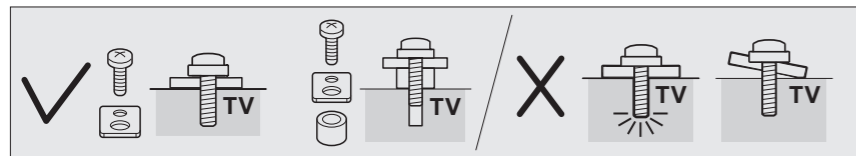
VESA 600x200mm



VESA 600x400mm



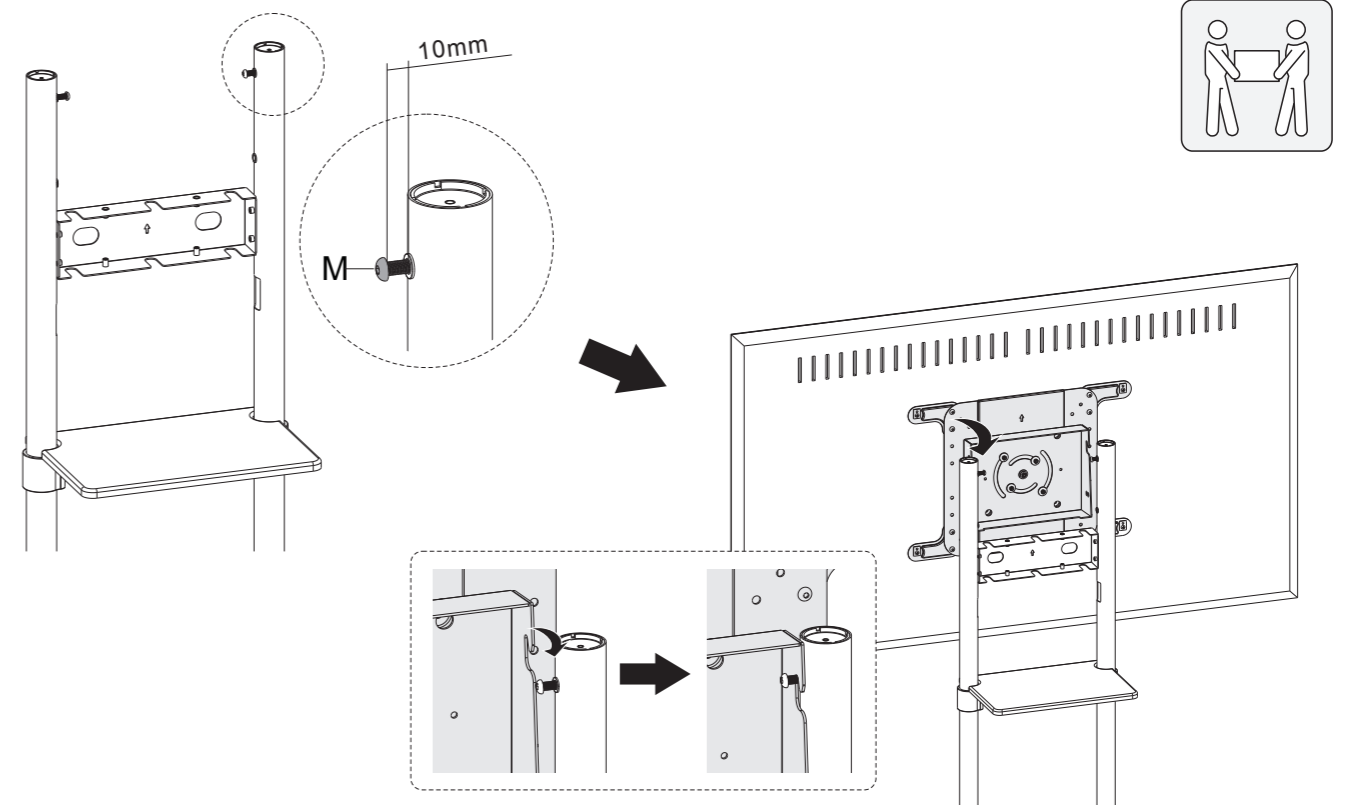
6b-2. Attaching the Mounting Plate to the Display



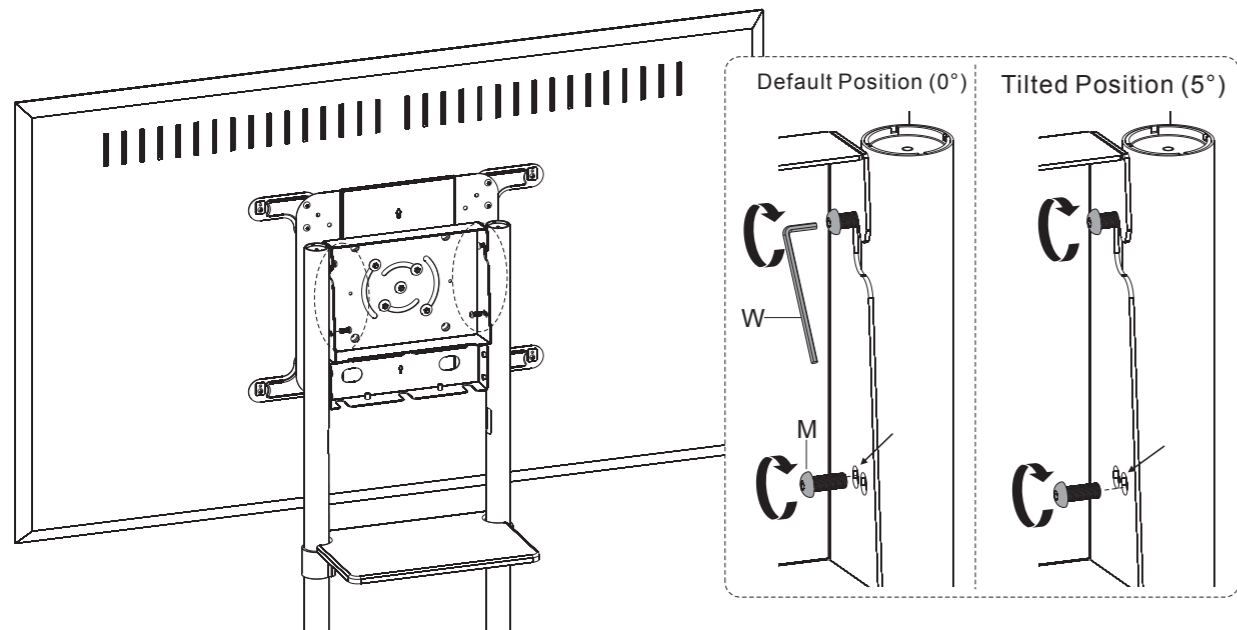
M-A			M-B		
M-C			M-D		
M-E			M-F		
M-G			M-H		

Note: Choose the appropriate screws, washers and spacers (if necessary) according to the type of screen.

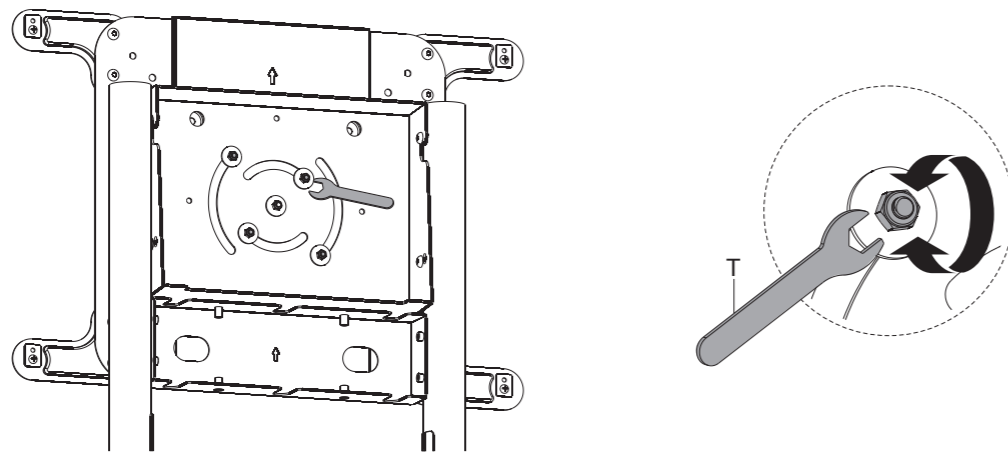
7. Mounting the Display onto the Screws



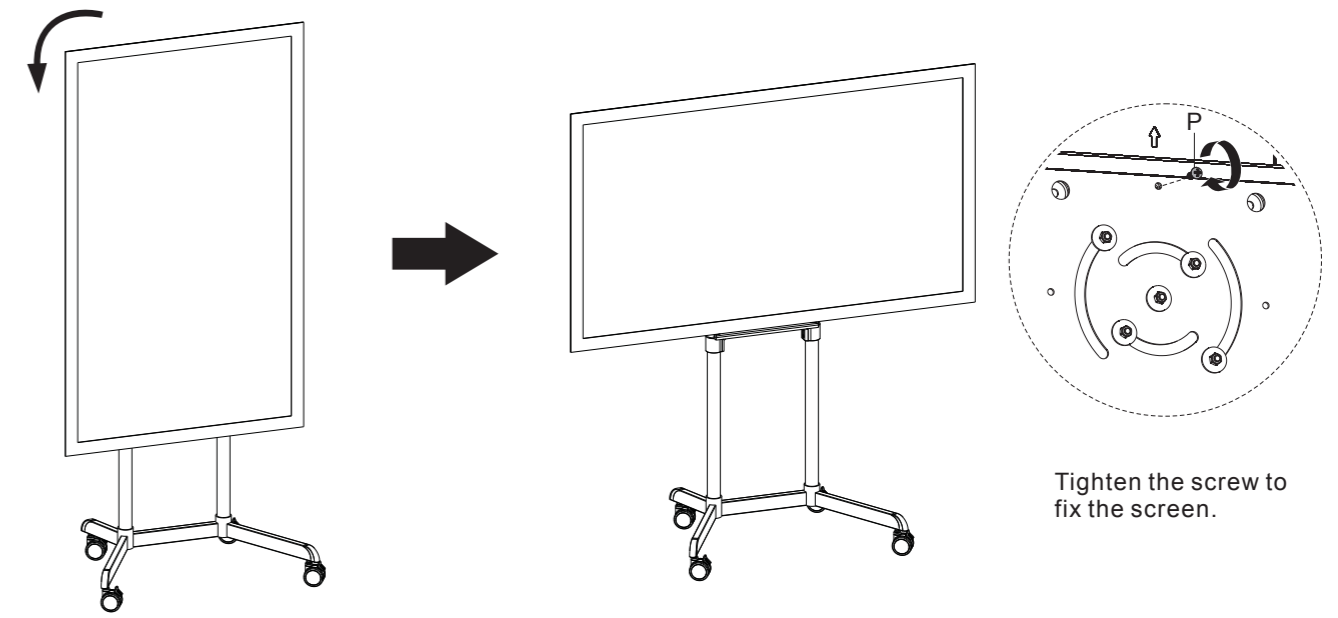
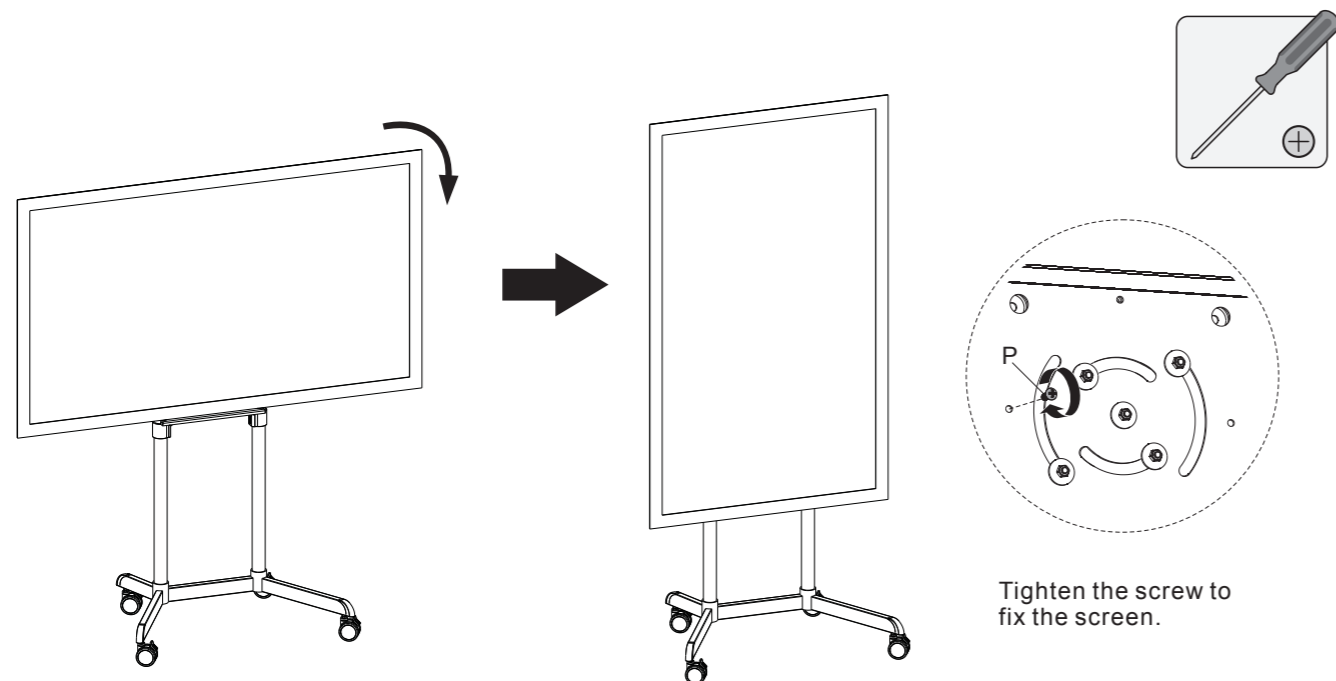
8. Adjusting the Tilting Angle of the Display



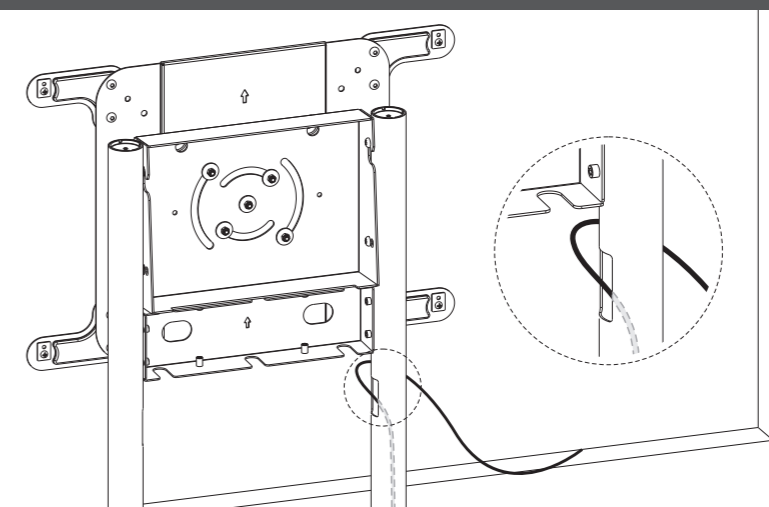
9. Snuggly Adjusting the Rear Bolts



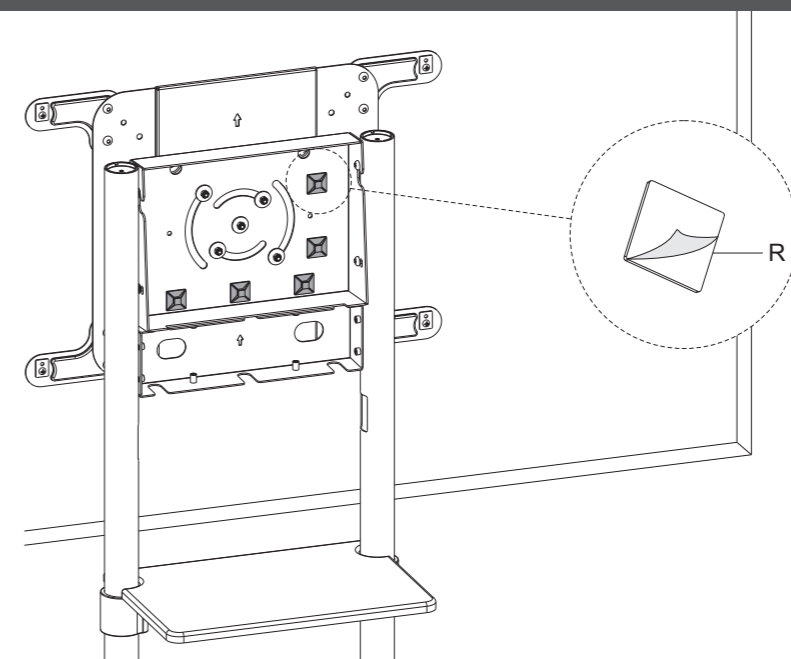
10. Fixing the Display in Landscape/Portrait Position (If Necessary)



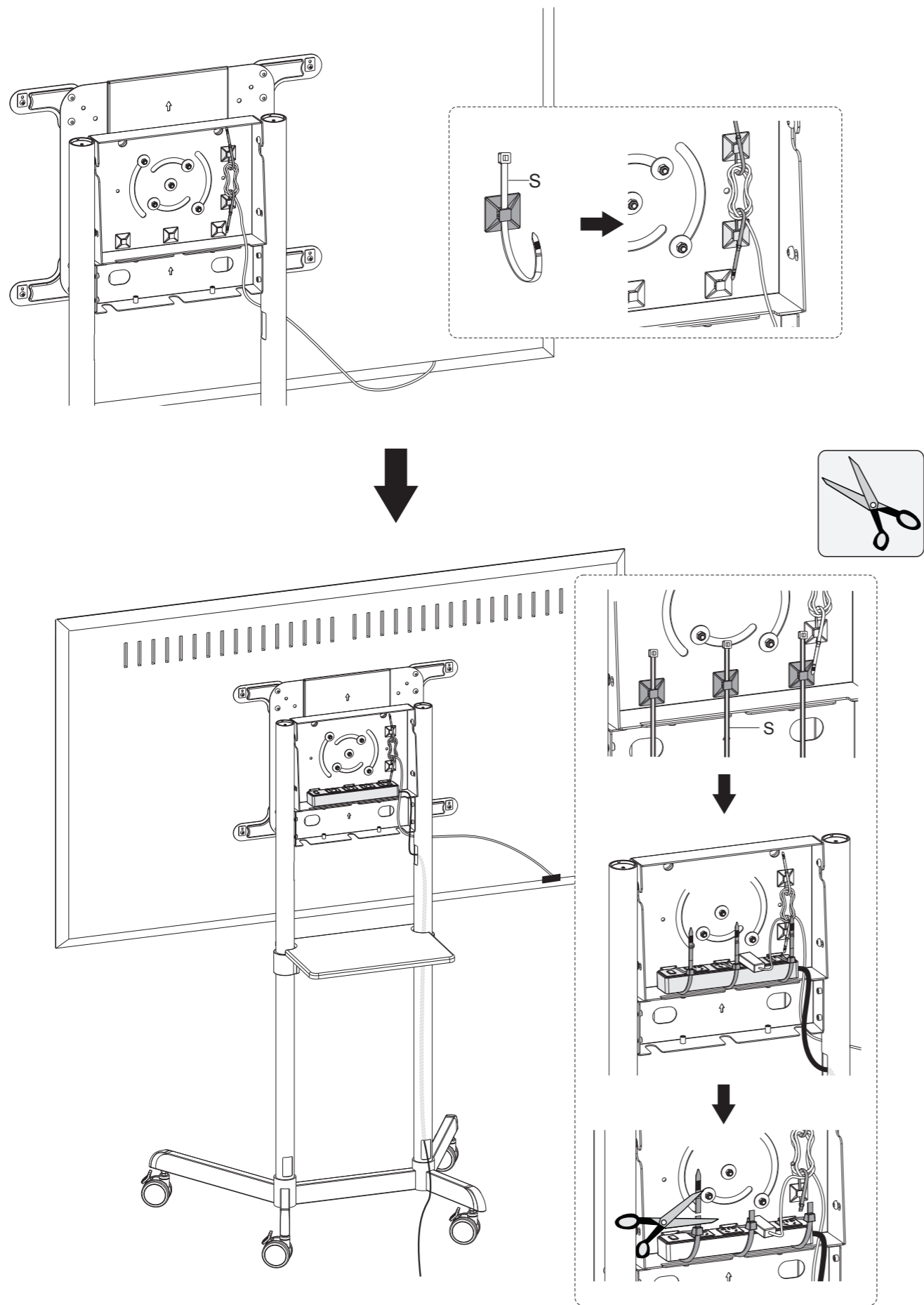
11a: Routing the Cable



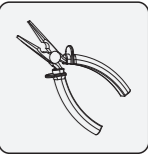
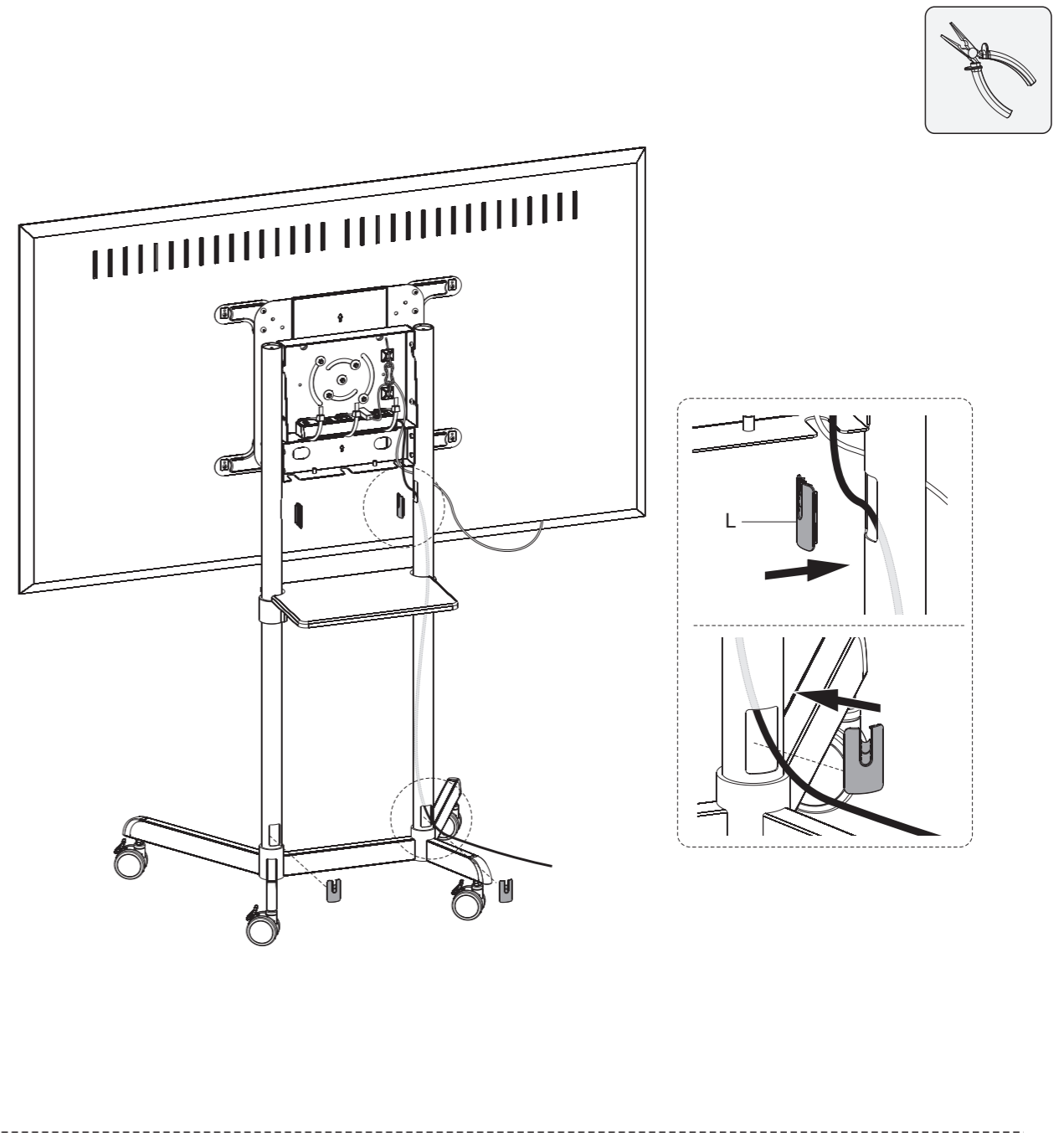
11b-1: Attaching the Cable Clip Holders



11b-2: Routing the Cable through Cable Clips



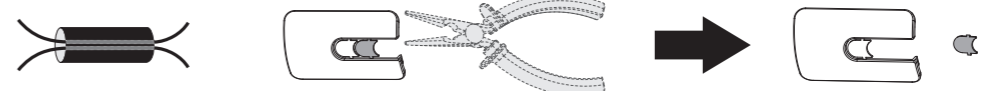
12. Attaching the Cable Covers



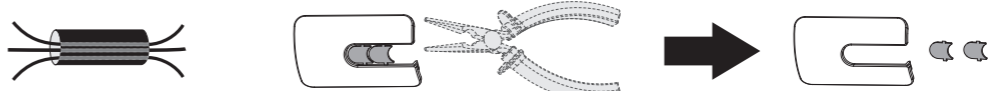
2a



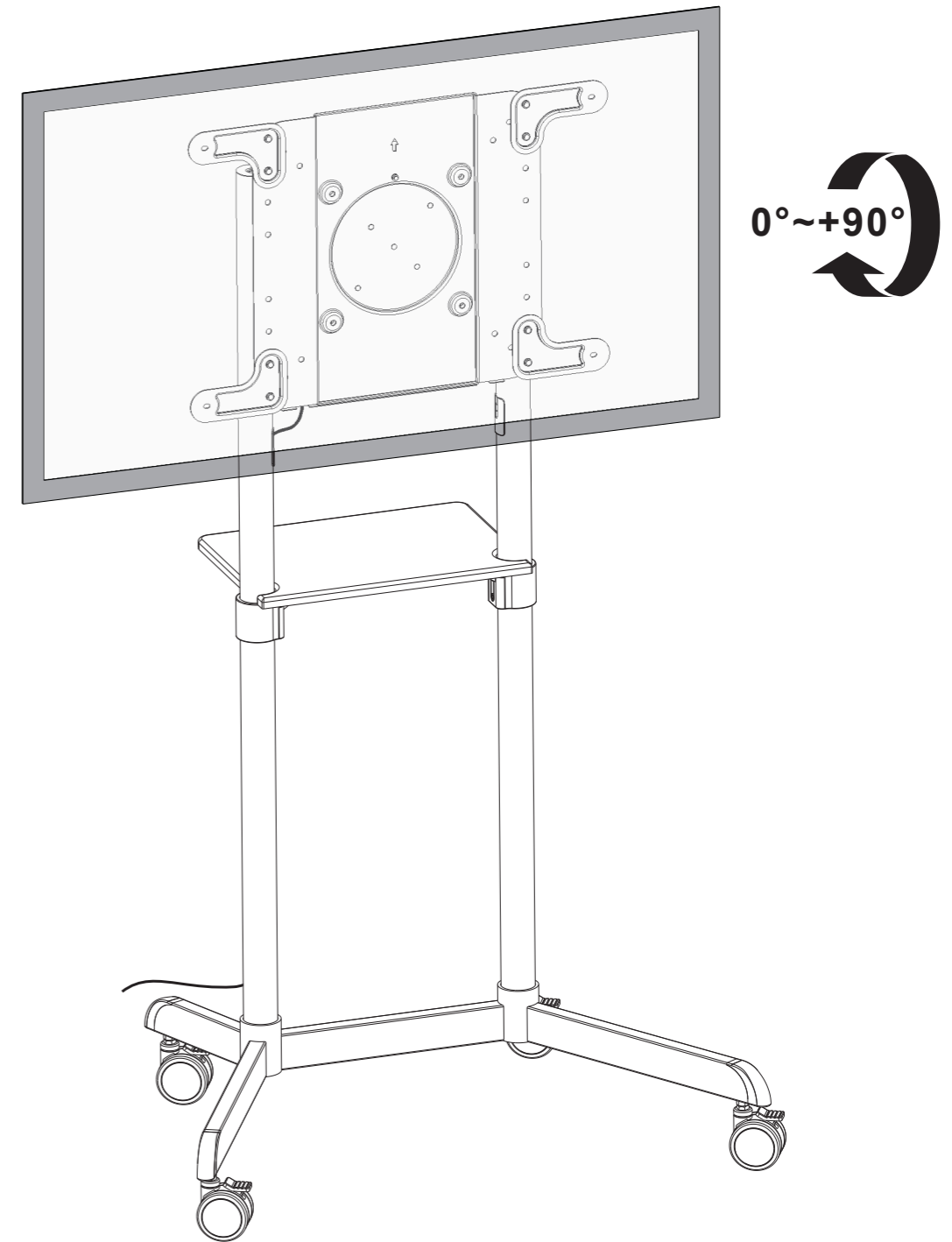
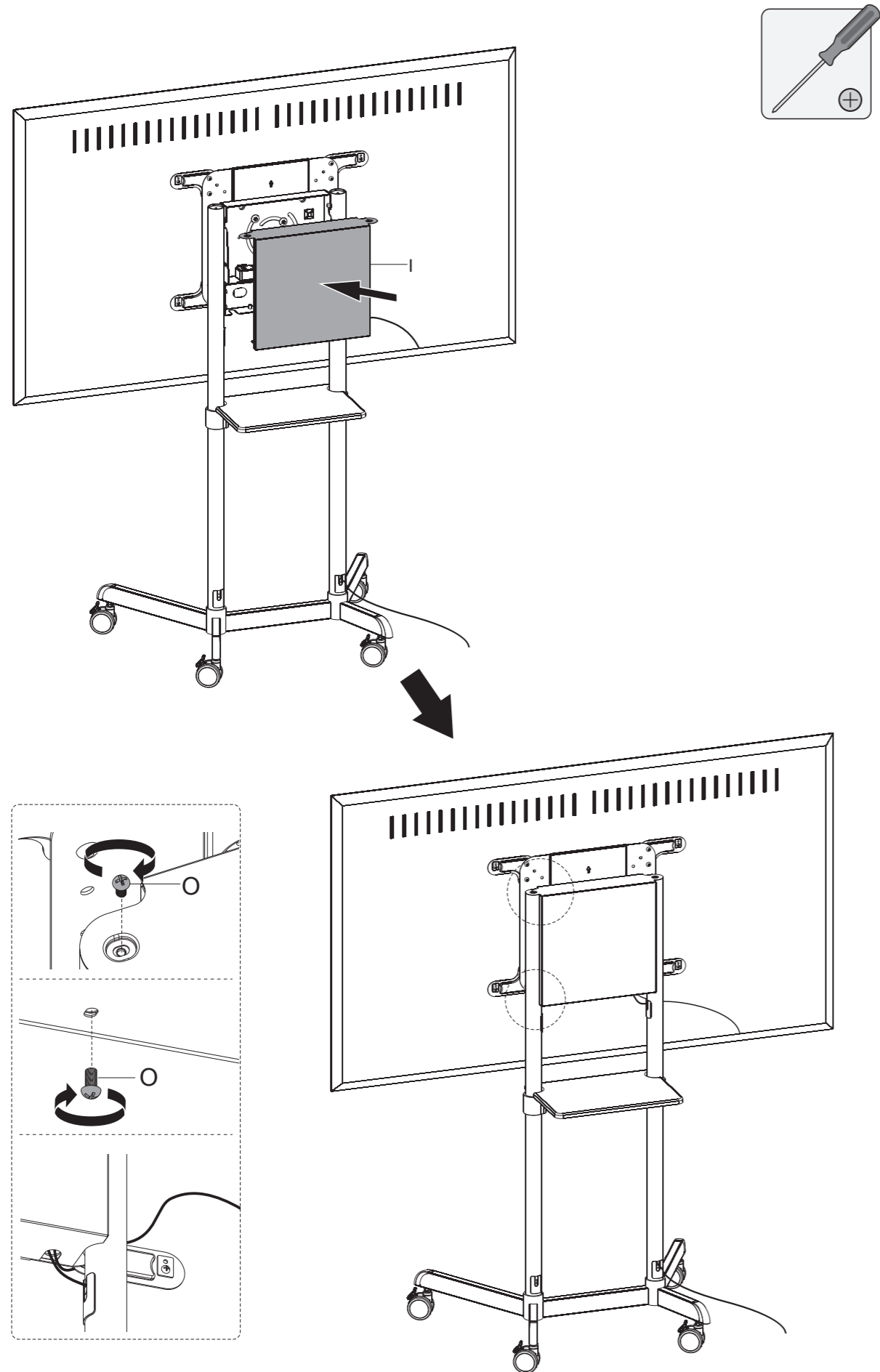
2b



2c



13. Attaching the Rear Cover



- It is recommended to adjust the columns to the desired height before installing the display.
- If you want to adjust the columns height after finishing the display installation. Please remove the equipment shelf, then adjust the columns to the desired height.

Maintenance

- Check that the cart is secure and safe to use at regular intervals(at least every three months).
- Please contact your distributor if you have any questions.