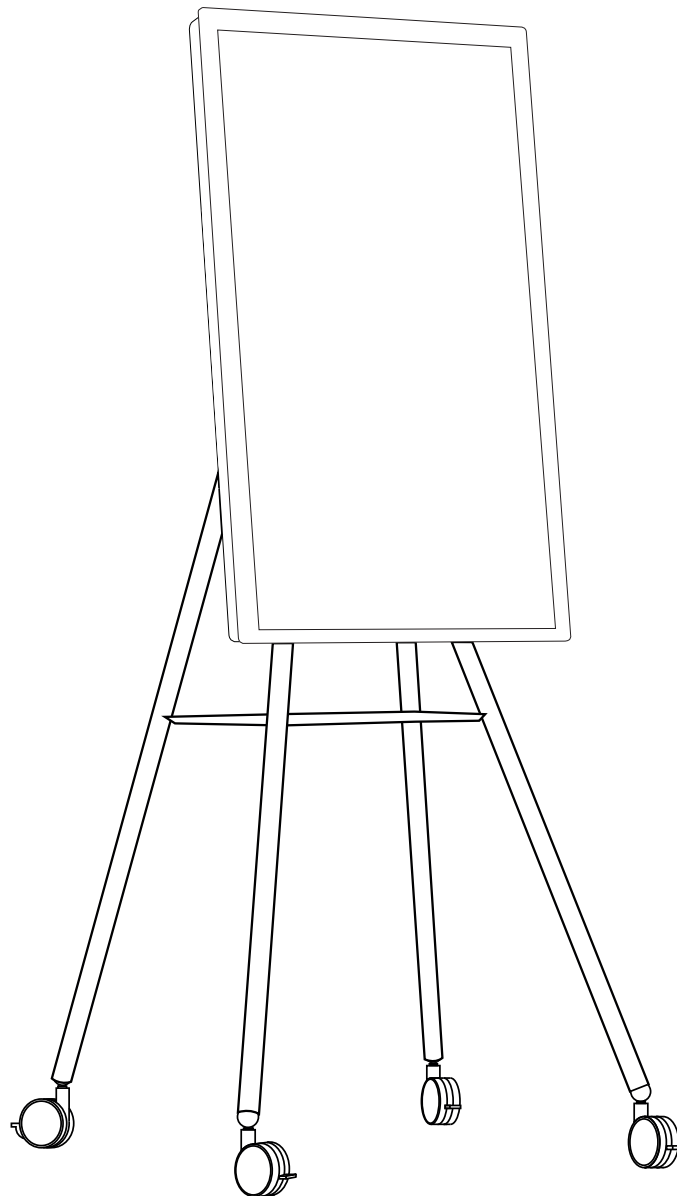




i3-TECHNOLOGIES

iBSIXTY Mobile Stand F43-C

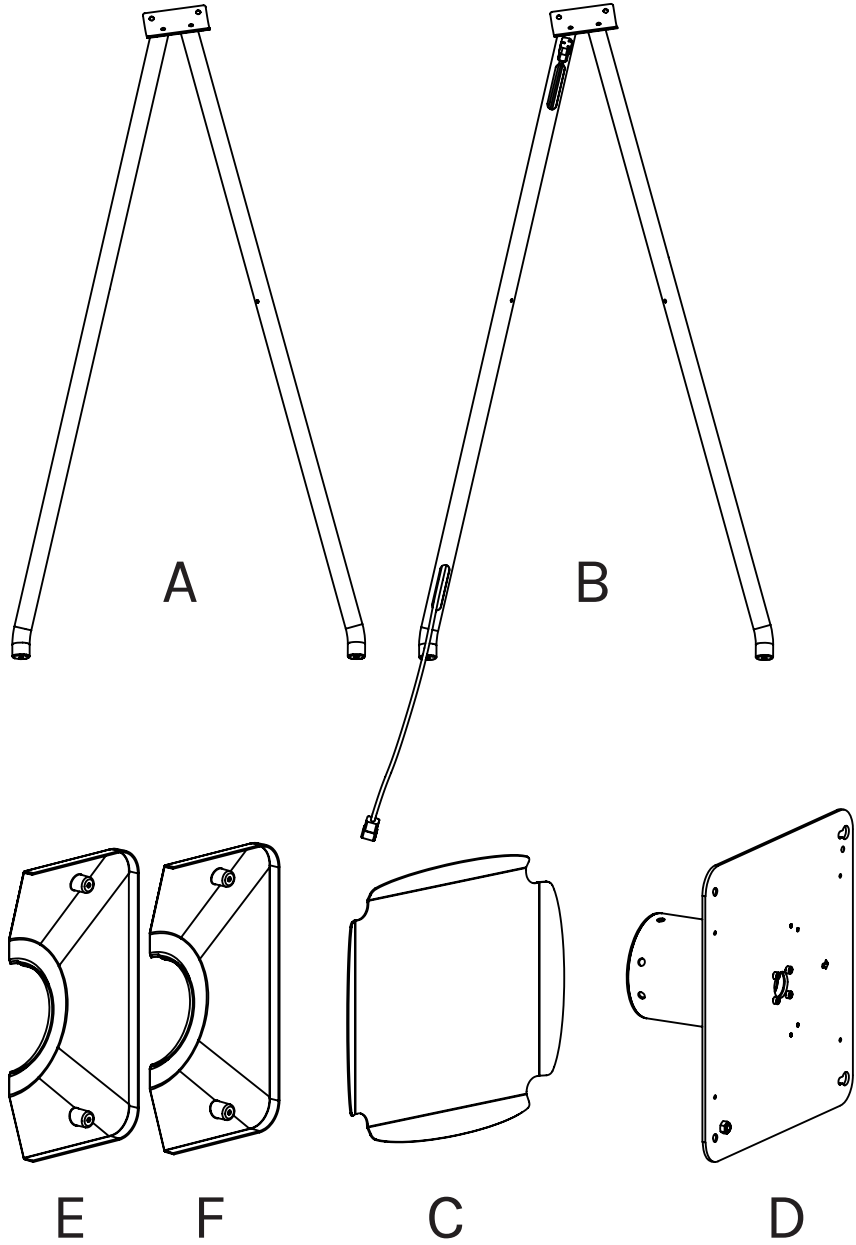
INSTALLATION MANUAL

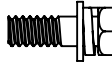
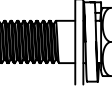
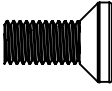
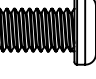
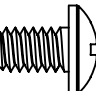
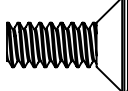
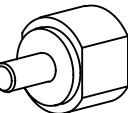
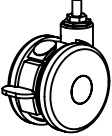



20190716

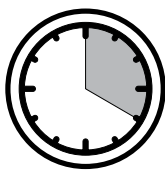
⚠ IMPORTANT SAFETY WARNINGS

1. When noticing damage to the power cable, immediately disconnect the power cable from the wall outlet, and notify your i3 support contact.
!!! Do not use the device with noticable damage to the power cables.
2. Only mount the i3SIXTY Display on the i3SIXTY F43-C Mobile Stand. Do not attempt to mount other devices.
3. Do not position the i3SIXTY F43-C Mobile Stand to be used on an inclining floor, not even with the wheel brakes locked.
The wheel brakes are not designed for this purpose.
4. Do not stand on the laptop tray, or use the Mobile Stand for any other purpose than specified in the usage instructions.
5. During assembly, do not rotate the display without first fully finishing the instructions. Do not rotate while any screw is still unfastened.

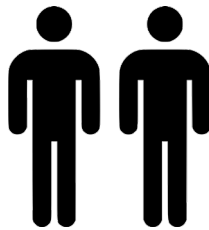


- 1  4 pieces
Hex Bolt M6 x 15 mm
- 2  8 pieces
Hex Bolt M8 x 20 mm
- 3  2 pieces
Tapered bolt M8 x 14 mm
Philips head.
- 4  2 pieces
Round bolt M8 x 14 mm
Philips head
- 5  4 pieces
Round bolt M5 x 8 mm
Philips head
- 6  4 pieces
Tapered bolt M5 x 10 mm
Philips head
- 7  4 pieces
Spacer bolt
- 8  4 pieces
Caster wheels
- 9  2 pieces
Cable clips

Required:

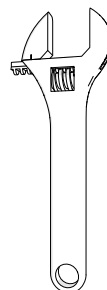


20 minutes

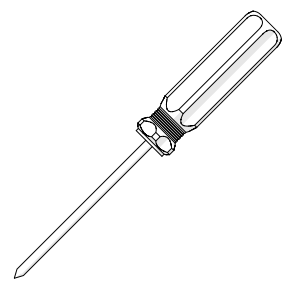


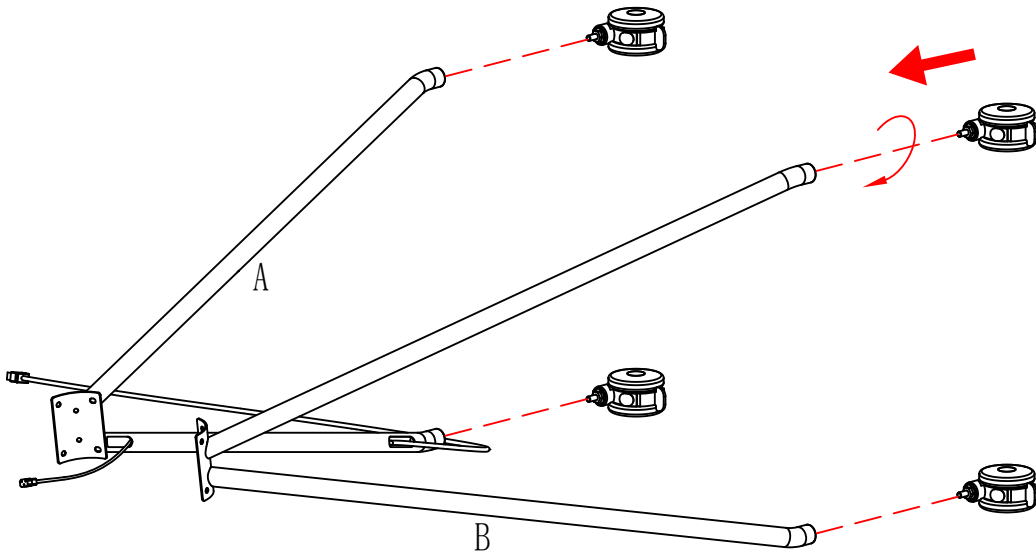
2 people

Wrench
19



Screw Driver
philips



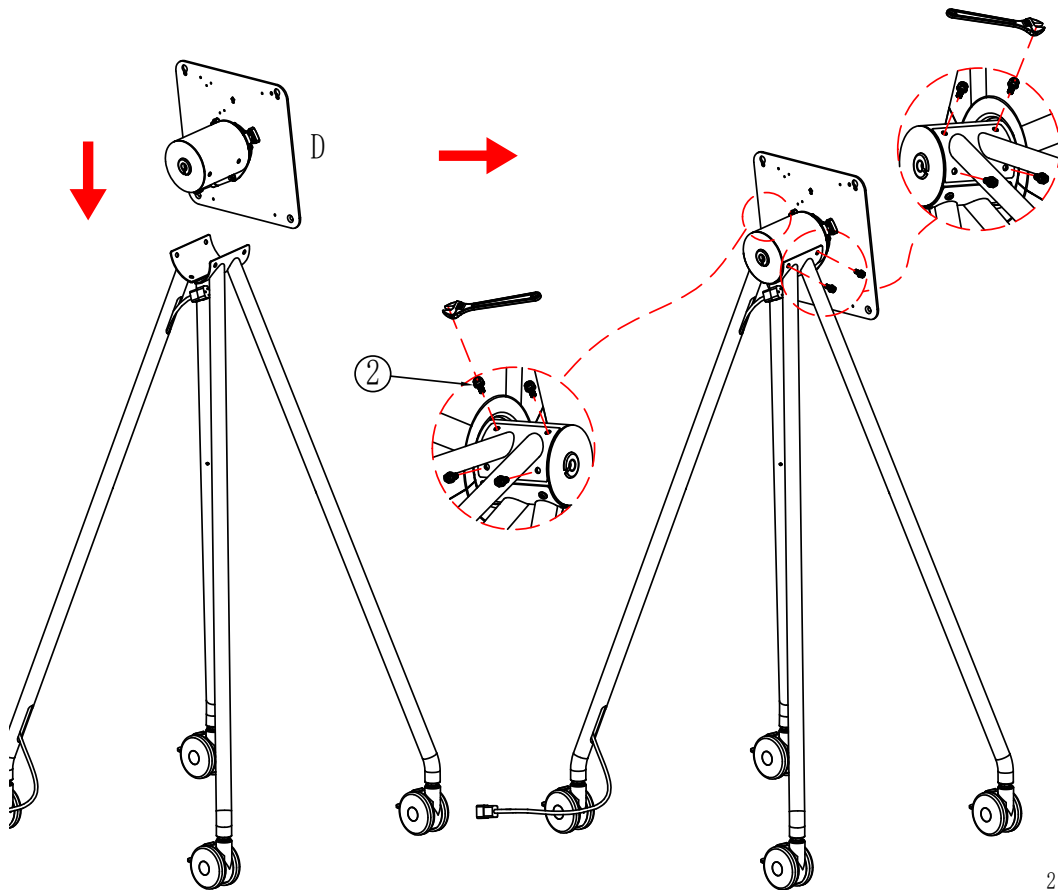


Assemble the 4 wheels to each of the 4 legs.

Make sure that the brakes are locked throughout the entire assembly process.

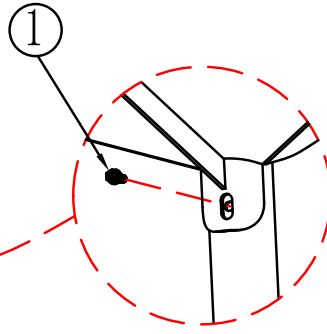
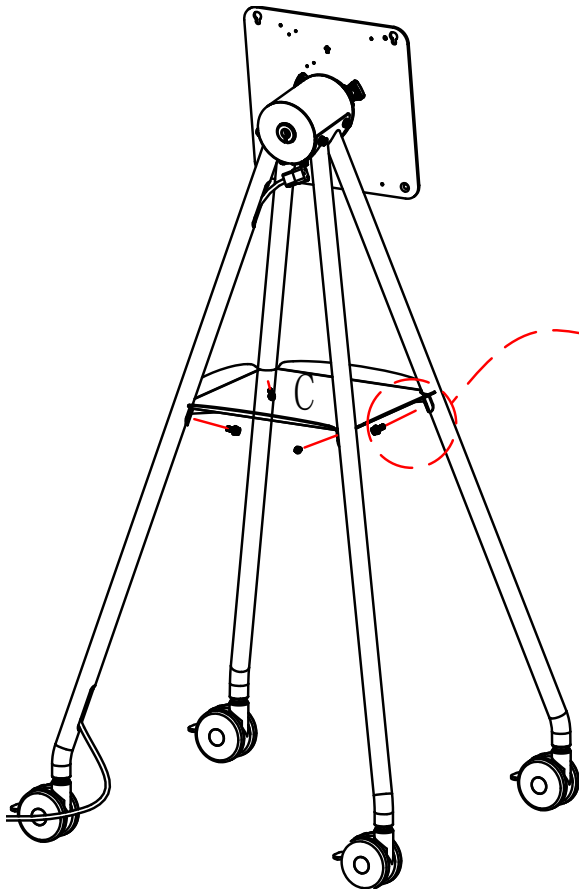
Screw in the threaded bolt into the bottom of the leg.

Tightly fasten the wheels using a #19 wrench.



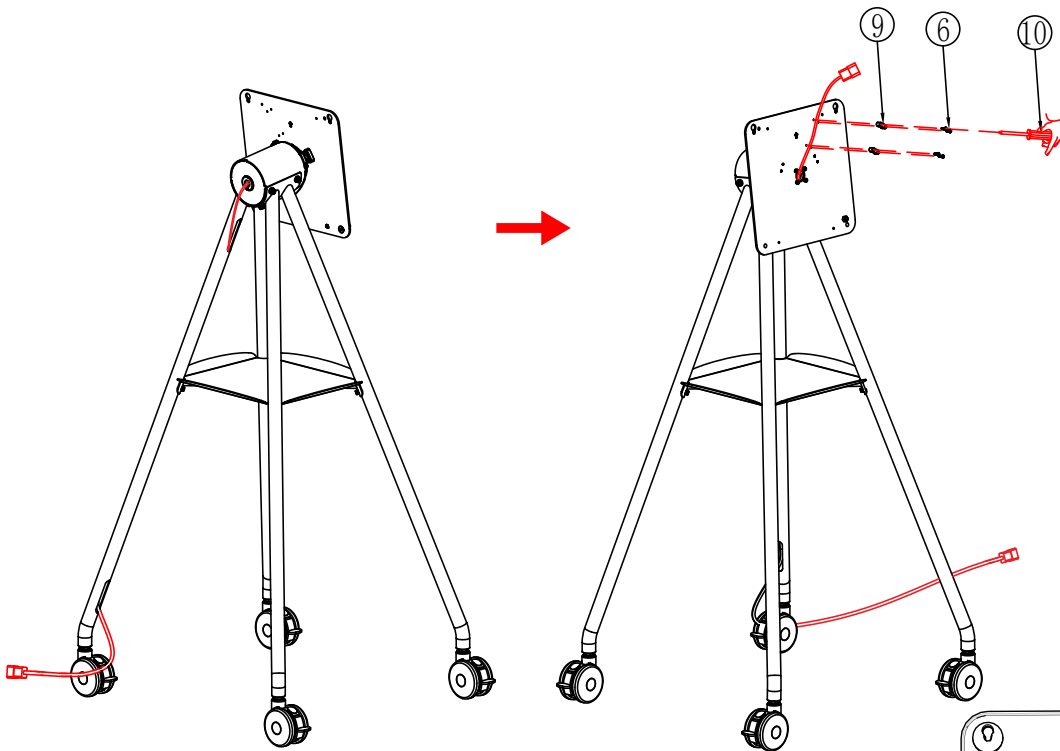
Fasten the legs to the center rotating part.

Tightly fasten the bolts with a wrench.



Mount the laptop tray (C) between the legs of the Mobile Stand.

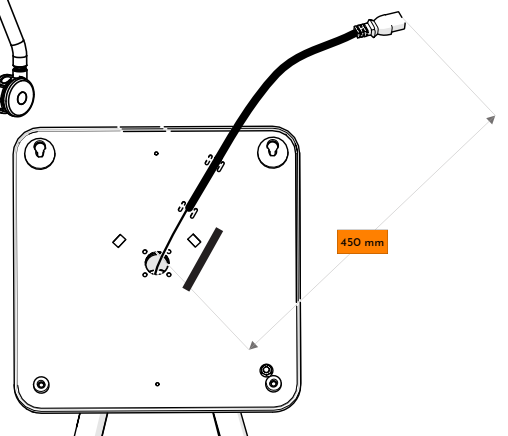
Mount the tray with the four hex/philips bolts (1).

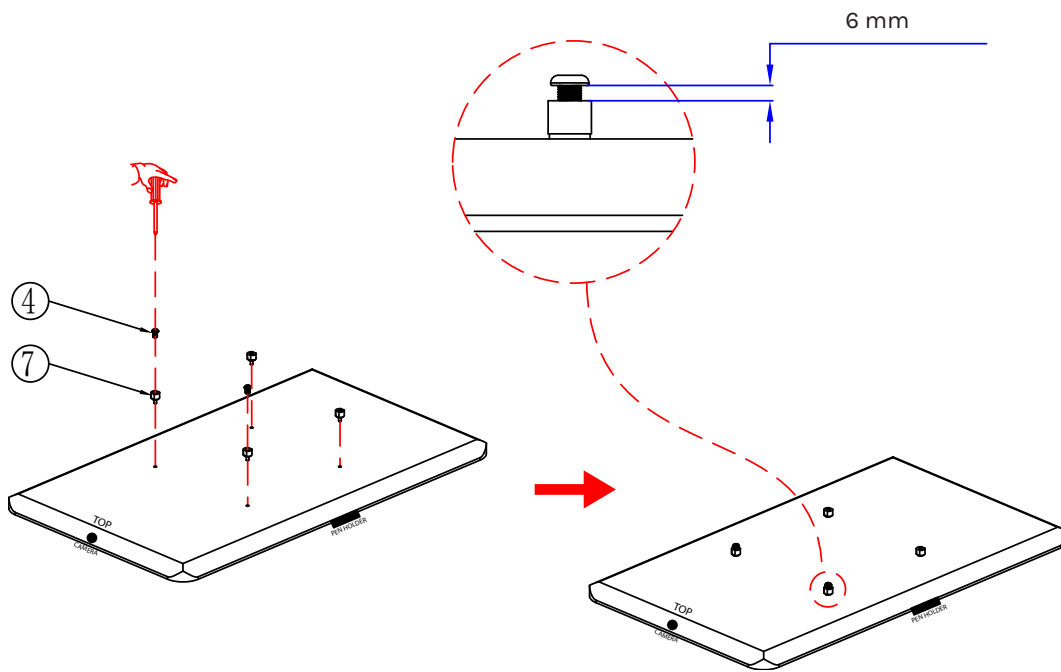


Feed the power cord through the center hole of the rotating part.

At the front of the Mobile Stand, leave 450 mm of the power cord.

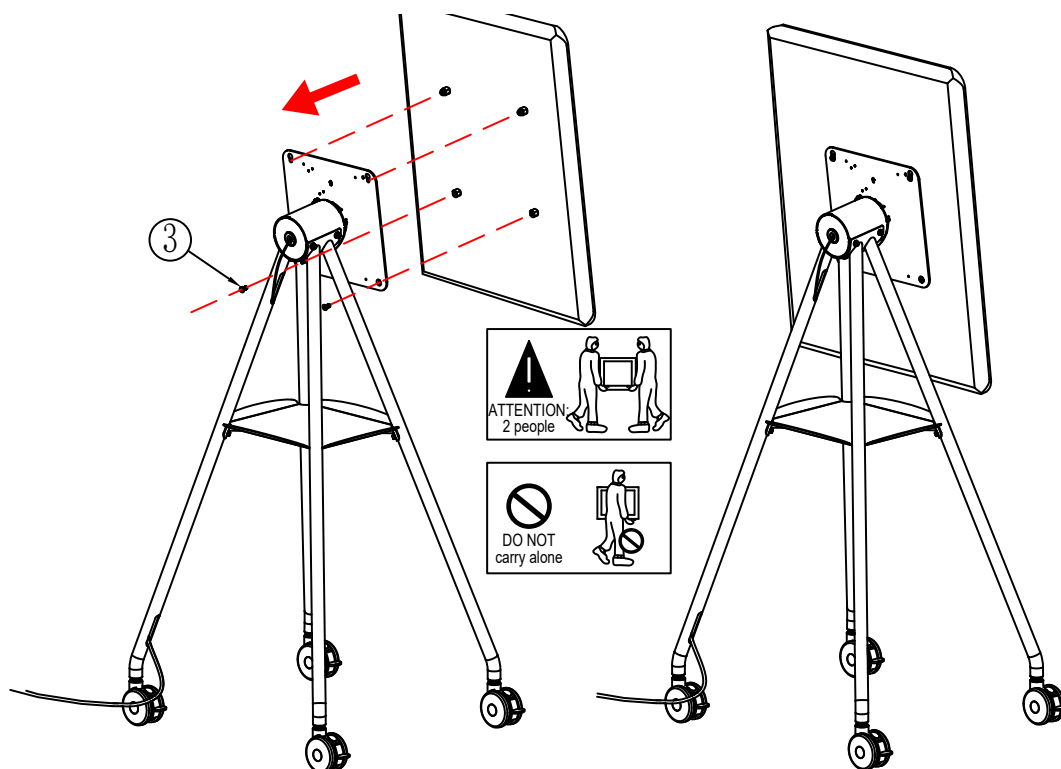
Fasten the power cord with the cable ties (9) and screws (6).





Insert the 4 spacers (7) and the top 2 mounting screws (4) into the VESA 300x300 mounting holes of the i3SIXTY display.

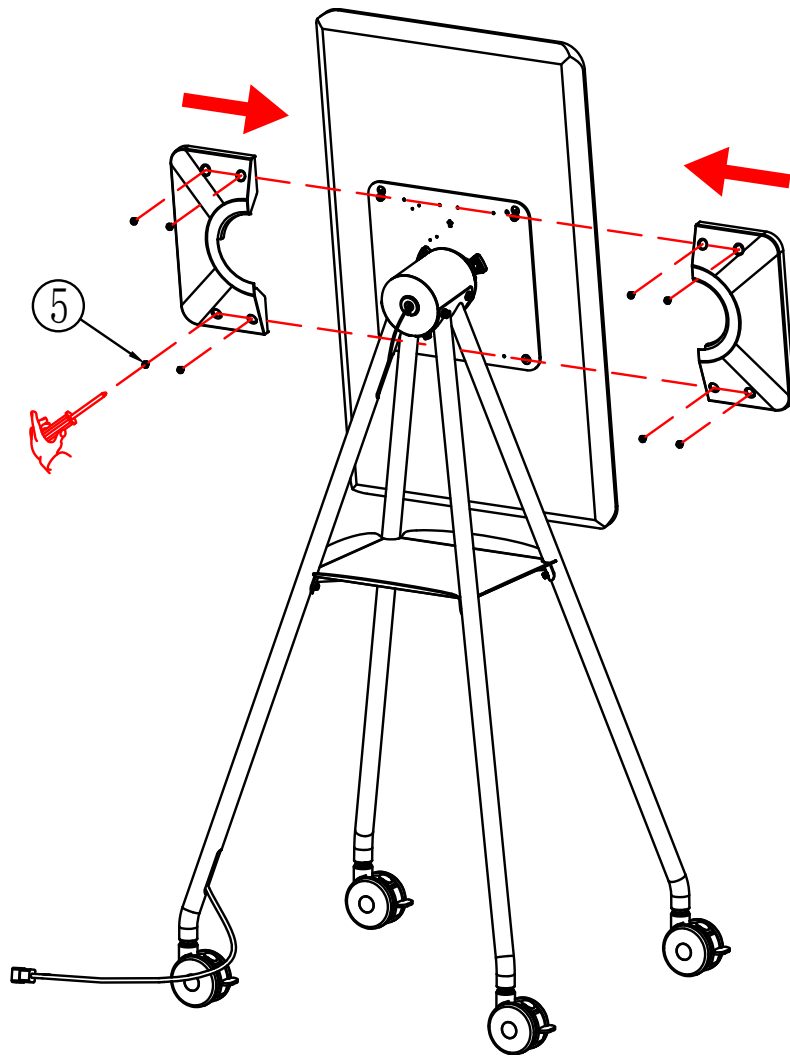
Leave the top screws at least 6 mm unscrewed.



WARNING: DO NOT ROTATE THE DISPLAY WITHOUT FULLY ASSEMBLING THIS STEP.

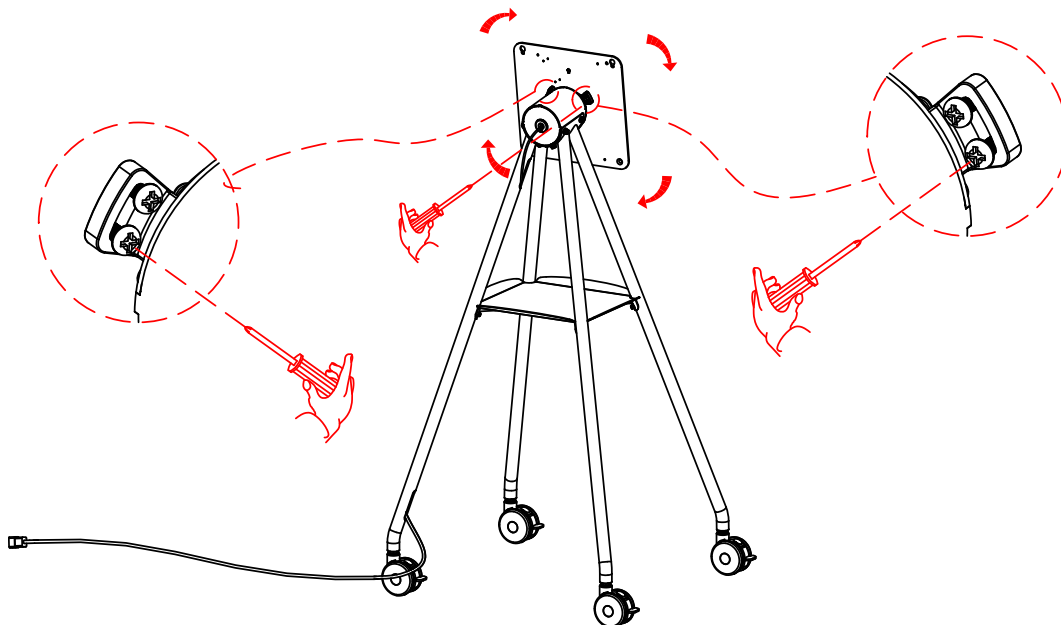
Hang the display with the top screws into the top keyholes of the Mobile Stand.

Screw in the bottom 2 screws (3) into the lower VESA 300x300 mounting holes of the display.



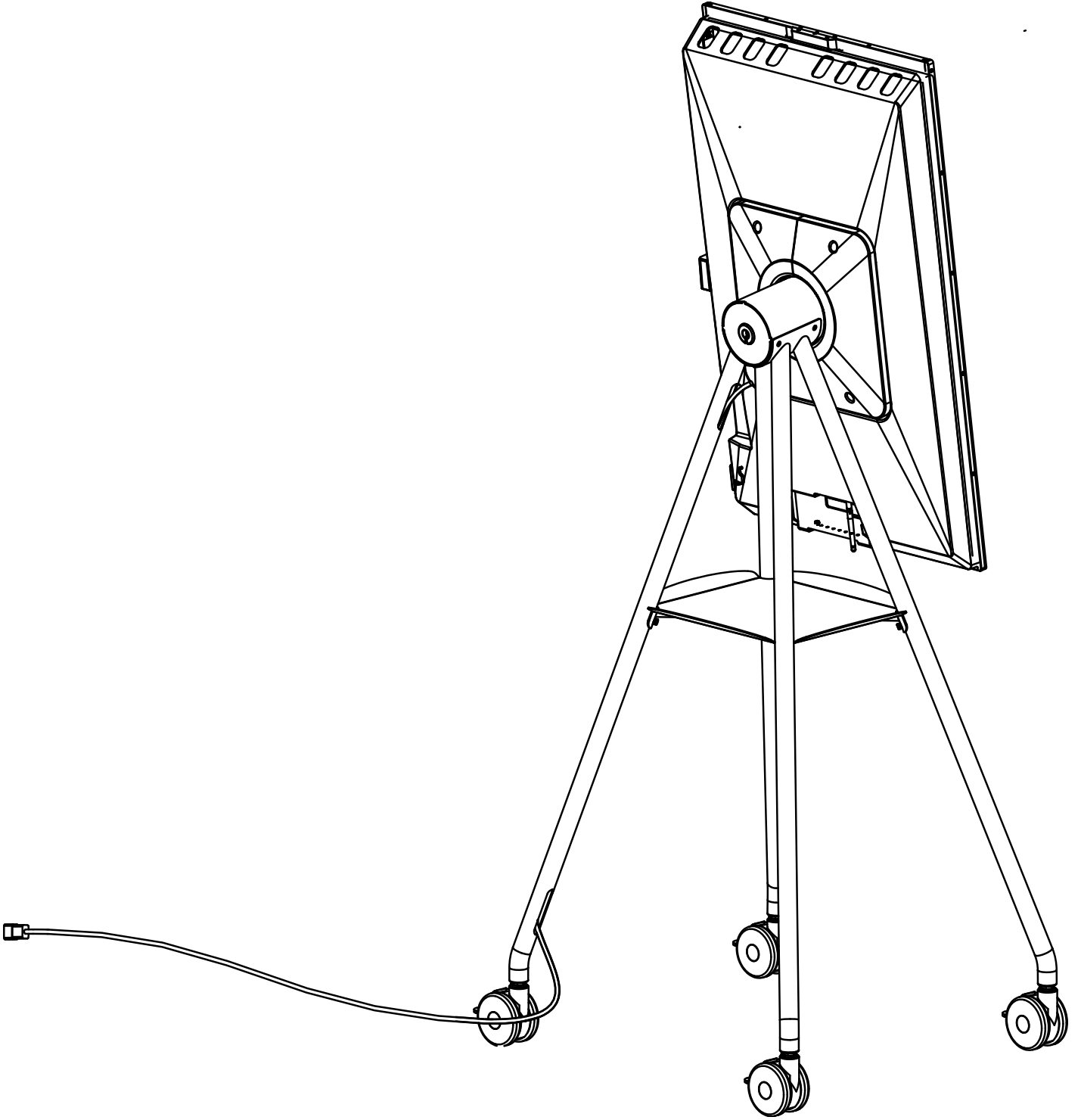
Assemble the 2 back covers (E & F) behind the mounting plate.

Fasten the covers with 8 screws (5).



OPTIONAL:

If the display over- or under-rotates (eg doesn't finish the rotation perfectly horizontal or vertical), you can adjust the stopping points of the rotation with the 4 screws located on the mounting plate.





i3-TECHNOLOGIES

WWW.I3-TECHNOLOGIES.COM

INFO@I3-TECHNOLOGIES.COM